



DRIJA®

Lujo e Innovación

24 MESES de GARANTÍA
MONTHS WARRANTY

Prisma Isla Touch 90

Extractor de Grasa
Range Hood



2 Filtros de Carbón Activo
2 Active Carbon Filters

OBSEQUIO



1 Filtro de Carbón Activo



Extractores de Grasa
Range Hood

USER MANUAL

110-120 V / 60Hz

NOTA: Para adquirir accesorios y/o repuestos de este producto, contáctenos al call center (según el número de su país que le indique el certificado de garantía) o a nuestras redes sociales

NOTE: To purchase accessories and / or spare parts for this product, contact us at the call center (depending on the number of your country that indicates the warranty certificate) or our social networks

www.DrijaiInternational.com

!

Para conservar la garantía de este producto, es recomendable instalarlo a no menos de **30"=75 cm** de la estufa

To preserve the warranty of this product, it is advisable to install it at not less than **30"= 75 cm** from the stove.

User Manual
RANGE HOOD | PRISMA ISLA TOUCH 90
DRIJA[®]

1. SAFETY NOTIFICATIONS	3
2. INSTRUCTION FOR THE SWITCH	4
3. INSTALLATION SKETCH.....	6
4. CIRCUIT DIAGRAM	8
5. TROUBLE SHOOTING	9
6. CLEANING AND MAINTENANCE.....	9

1. SAFETY NOTIFICATIONS

Please read these notifications carefully and act upon them, to ensure the user's personal safety and prevent damage to your belongings.

- Don't use this use this item for any other purpose than a household hood.

(Risk of fire and damage)

- Don't use this item if the power cord or plug are damaged, and make sure the socket you use is in good repair. (Risk of electric shock and fire)
- Don't lift the appliance by holding just the power cord; do not yank out the plug by pulling on the power cord.

(Risk of electric shock and fire)

- Please use an earthed 220V-240V outlet.

(Risk of damage and electric shock)

- Make sure not to overload the outlet.

(Risk of excessive heat and fire)

- Do not touch the plug with wet hands. Clean the plug if is moist or dusty.

(Risk of electric shock)

- Do not let children use the hood

(Risk of personal injury)

- Do not close the hood too much when cooking.

(Risk of damage)

- Don't take down the filters when cooking.

(Risk of damage)

- Please wear the gloves when installing the hood.

(Risk of personal injury)

2.0 Only have the manufacturers personnel dismantle service or modify the hood.

2. INSTRUCTION FOR THE SWITCH



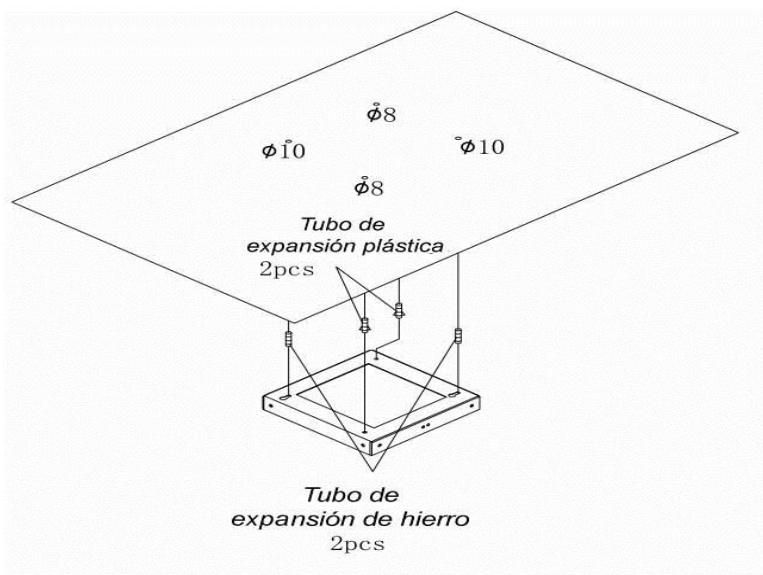
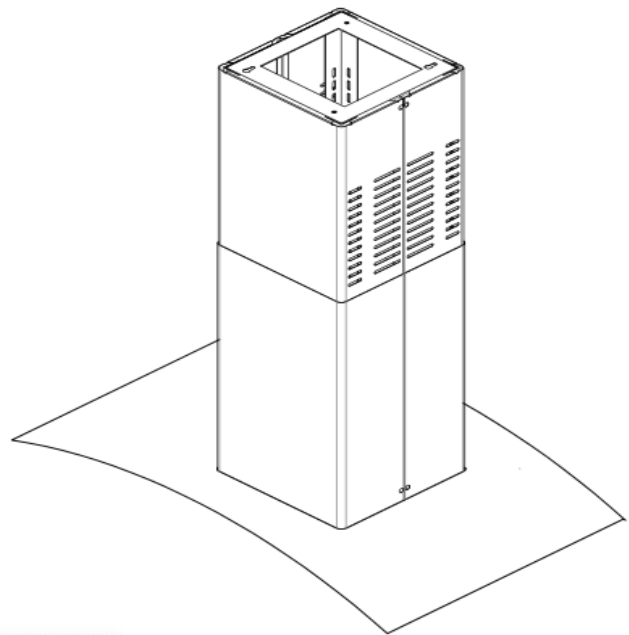
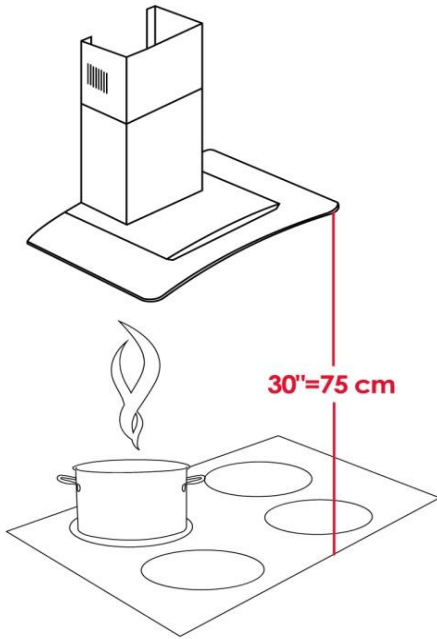
After connecting the power cable, the LCD shows the time.

1. When the chimney bell is in standby state, touch the key and the bell rings, the indicator light will turn off after two seconds, the LCD shows the first gear and the engine will run at low speed. Each time you press this button, the LCD will work with the "low, medium, high" graph in the sequence cycle and the engine will accelerate. After reaching the high level, when you press the button, the speed does not change.
2. When the chimney campaign is in standby mode, touch the key and the bell rings, the indicator light will turn off after two seconds. The LCD will reduce a graph and the engine will run at low speed. Each time you press this button, the LCD shows the "medium, low, stop" graphic, when it shows the stop icon, the engine stops running, then presses the button, the speed does not change.
3. Time key:
Press the key button for three seconds to set the clock for the time, the time icon will flash, then touch the minus key, reduce one hour, press and hold the key to continuously reduce. Touch the plus key, it will increase by one hour, press and hold to increase continuously. Touch the time / timing button when setting the clock position, switch to the minute setting position and the LCD will show the minute position. Touch the minus key, it will reduce one minute, press and hold to continuously reduce. Pressing the plus key will increase one minute, press and hold to increase continuously. When setting the minute position, press the time / sync button to confirm the current setting to exit the clock setting status. Clock setting range: "00:00 to 23:59". (It does not matter if you touch the or button, the indicator light will come on for 1 second, pressing continuously will keep the illumination. When the chimney bell is in standby state, touch the time key and the buzzer sounds, the indicator light and The LCD time will flash the last 5 minutes, at this time, touch to add a minute, touch to reduce a minute, setting the range from 1 to 60 minutes, after flashing for 5 seconds, enter

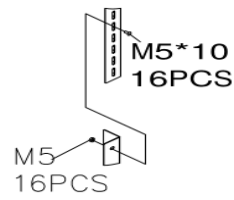
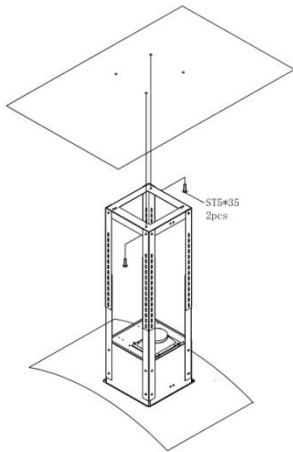
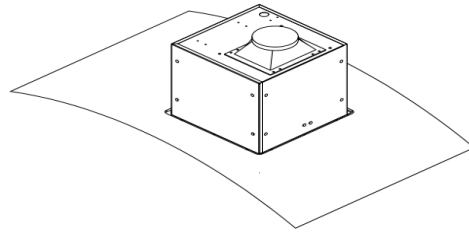
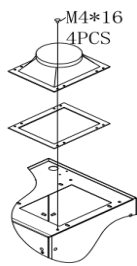
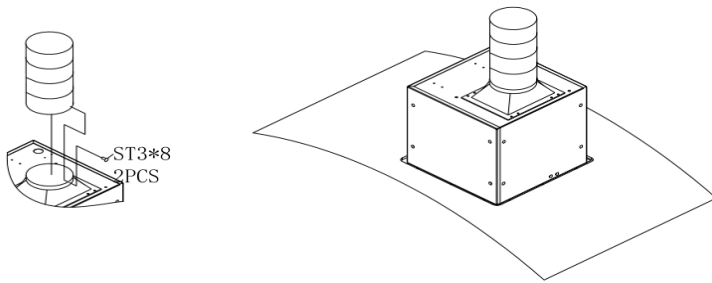
the countdown status closed, and the indicator changes from flashing to on. After the countdown, the buzzer will activate for 3 seconds and then close all functions

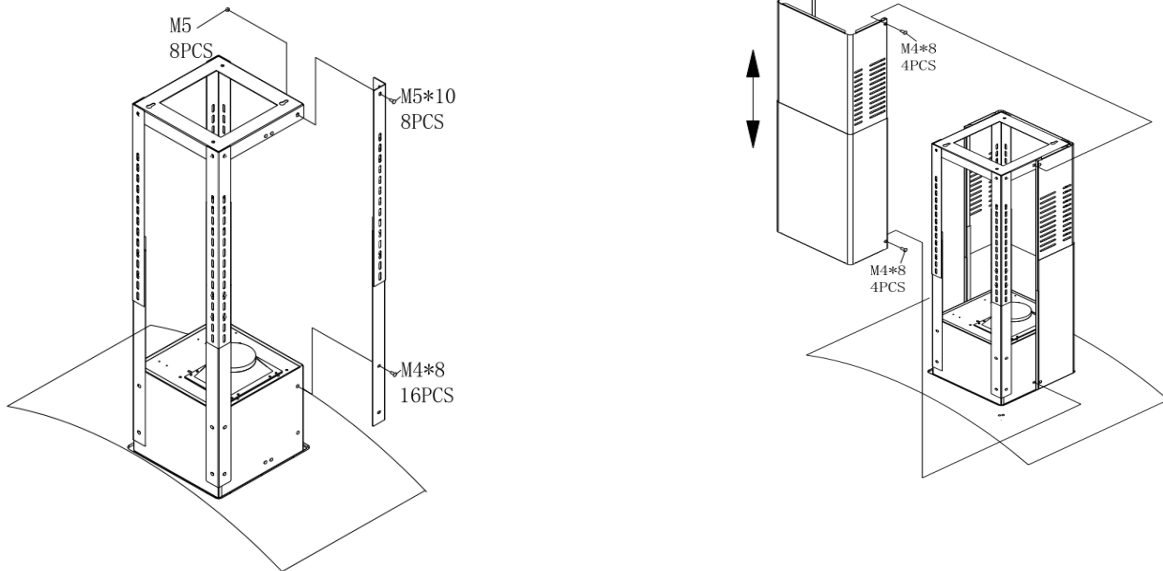
4. Light button: press the light button, the buzzer will sound, the light will turn on. Press again, the light will go out

3. INSTALLATION SKETCH

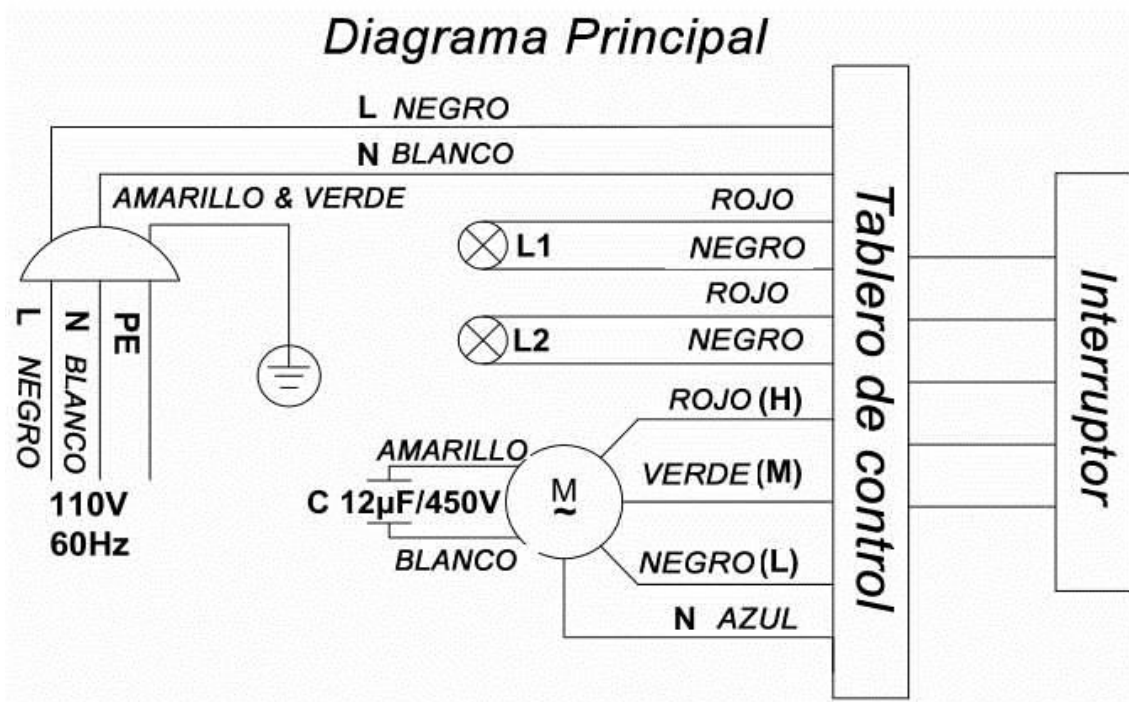


User Manual
RANGE HOOD | PRISMA ISLA TOUCH 90
DRIJA





4. CIRCUIT DIAGRAM



5. TROUBLE SHOOTING

PROBLEM	CAUSE	SOLUTION
the machine and the light do not work after you've pressed the function key	1 not plugged in properly 2 The lamps are damaged 3 The wire and/or the cable disconnected 4 The transformer for the lights is damaged	1 Check the plug and insert completely 2 Change the lamps 3 Contact the distributor and/or service office 4 Contact the distributor and/or service office
Lights work and the motor don't work	1 The impeller is stopped 2 The capacitor is disconnected and/or damaged 3 The motor is damaged.	1 Check and remove the blockage 2 Contact the distributor and/or service office 3 Contact the distributor and/or service office
Shaking	1 The item was not correctly hung 2 The motor is too loose 3 A damaged impeller causes imbalance	1 Hang the item stably 2 Fasten the motor 3 Contact the distributor and/or service office
Only one of two keys for the motor work	1 The switch is broken 2 Bad connection with the control board	1 Contact the distributor and/or service office 2 Contact the distributor and/or service office
Insufficient suction	1 The vents on the outlet cover not open completely 2 There is too much airflow around the machine 3 The oil filter is too dirty 4 The wire and/or cable damaged	1 Lower the machine, check the vents and loosen them. 2 Close any open windows 3 Clean it 4 Have a mechanic fix it

6. CLEANING AND MAINTENANCE

Never use metal abrasive pads, abrasive cleaners, or very stiff brushes.

To clean the lightweight cover, use only a household cleaner diluted with water, then rinse with clean water and wipe dry with a soft cloth.

Once the product is clean, it is recommended to apply mineral oil or baby oil to the steel with a clean, dry towel. For the cleaning of the glasses, we suggest to apply alcohol (with great caution) with a dry and clean towel

ESSENTIAL: Clean these filters every month to avoid any risk of fire. The filter collects greasy smoke and dust and is an element that plays an important role in the flammable when saturated with fatty residues. Clean it with a commercial household cleaner, then rinse thoroughly and dry. This cleaning can be done in

your dishwasher with the filter upright (do not allow it to come in contact with dirty dishes and pans)

Before using the cartridge filter for the first time, remove the protective film.

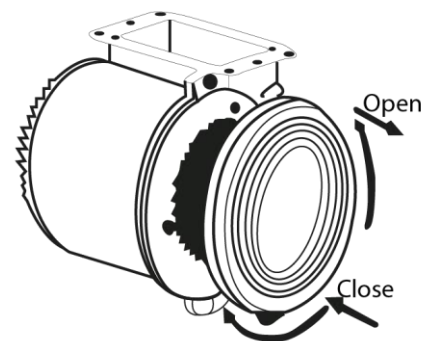
To remove the filter from the cartridge



1. Push back.
2. Turn the filter down with one hand after cleaning, replace the filter, performing the same operations in reverse order
3. **ANNUAL CLEANING:** Activated charcoal filter Applies only to manifold installed as units of recirculation (not ventilated to the outside). This filter will catch the odor and should be changed at least once a year depending on how much it is underneath. Order these filters from your dealer (using the nameplate reference number inside the extractor) and keep a note of the date it was changed.

WARNING:

1. Disconnect the extractor before performing any service.
2. Remove the filters.
3. Insert the new carbon filter into the fan extractor
4. On the inner surface, then rotate directly.
5. Repeat the same operation for all cassette filters
6. Re-attach the filters.

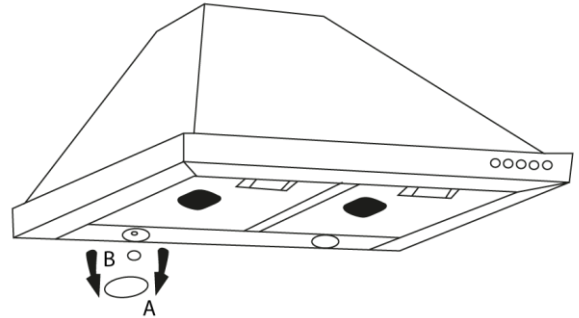


CHANGING THE LIGHT BULBS

Disconnect the extractor by unplugging it or shutting it off before performing any maintenance

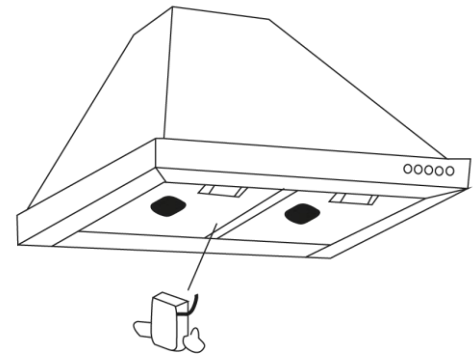
MODEL WITH LED LIGHT

1. Remove the chrome edges "A" by turning them anticlockwise.
2. Replace type 2W LED by unscrewing
3. Replace the assembly by performing the operations in reverse order.



MODEL USING BULB LIGHTS OR NEON TUBE

1. Unscrew the screw securing the light cover.
2. Tilt back.
3. The type of bulb you use is 2W LED, replace the bulb, unscrew, and screw the new bulb (see diagram).
4. Replace the light cover; screw the light cover back on.

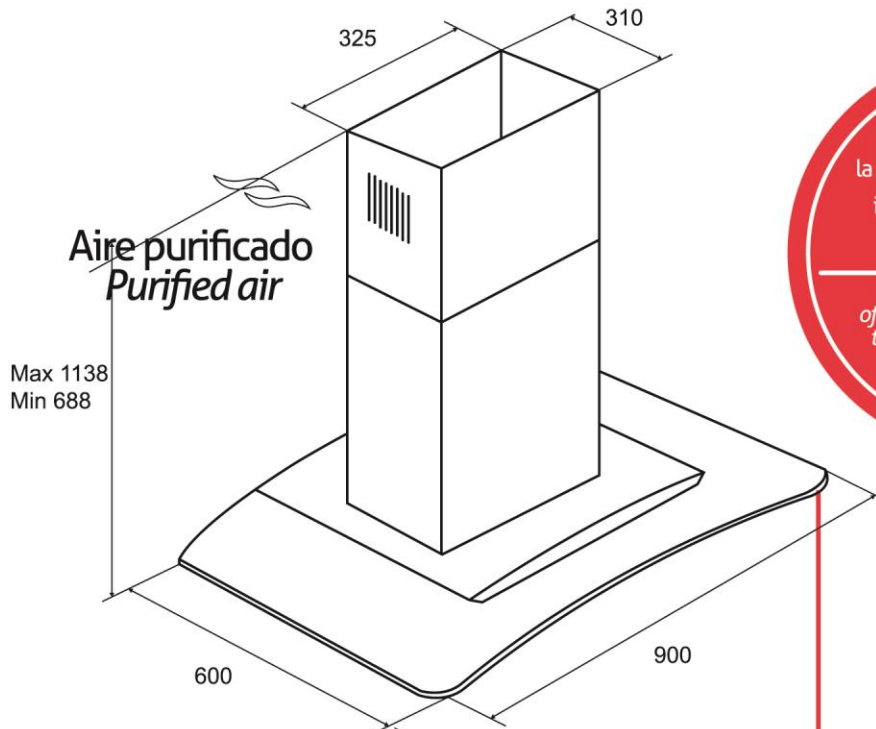


DRIJA®

Lujo e Innovación

Prisma Isla Touch 90

Extractor de Grasa / Range Hood

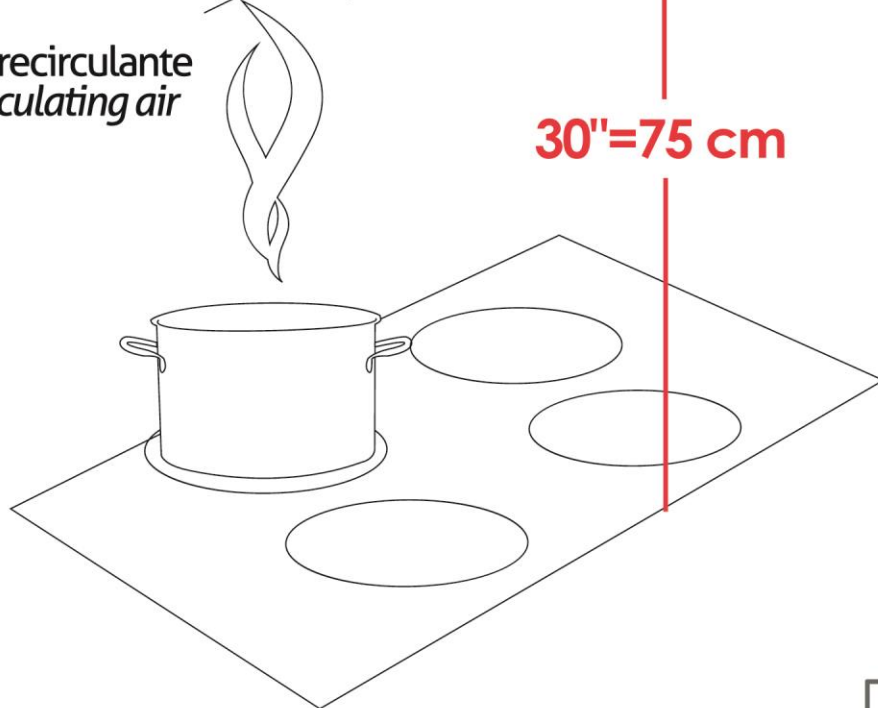


! Para conservar la garantía de este producto, es recomendable instalarlo a no menos de **30"=75 cm** de la estufa

To preserve the warranty of this product, it is advisable to install it at not less than **30"=75 cm** from the stove.

Extracción de aire recirculante
Extraction of recirculating air

30"=75 cm



24 MESES de GARANTÍA
MONTHS WARRANTY



Extractores de Grasa
Range Hood