

PRODUCTOS
Inspirados
EN
DISEÑOS ITALIANOS

DRIJA®

Diamond 90

Extractor de Grasa
Range Hood

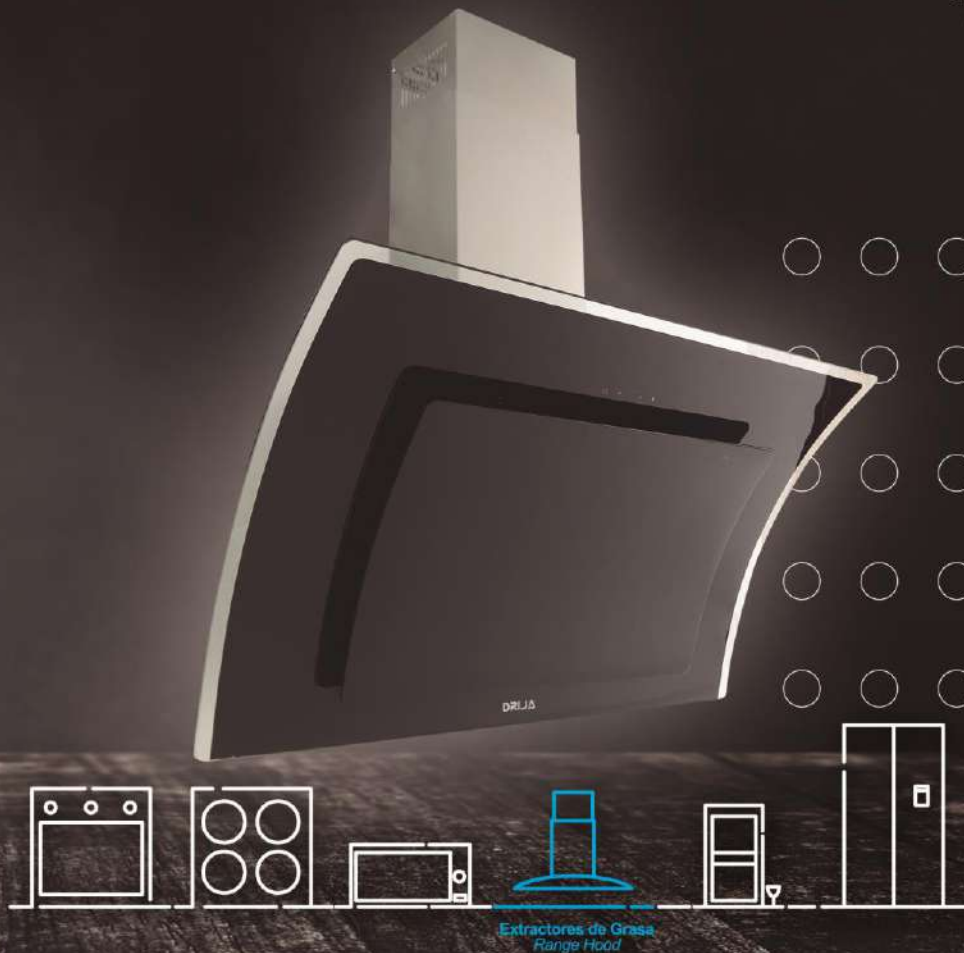
24 MESES
de GARANTÍA
MONTHS WARRANTY

WE GIVEAWAY
IN ALL OUR RANGE HOOD

OBSEQUIAMOS
EN TODOS NUESTROS EXTRACTORES DE GRASA



2 Filtros de Carbón Activo
2 Active Carbon Filters



USER MANUAL

110 V / 60Hz

NOTA: Para adquirir accesorios y/o repuestos de este producto, contáctenos al call center (según el número de su país que le indique el certificado de garantía) o a nuestras redes sociales

NOTE: To purchase accessories and / or spare parts for this product, contact us at the call center (depending on the number of your country that indicates the warranty certificate) or our social networks

   www.DrijaInternational.com

Para conservar la garantía de este producto, es indispensable instalarlo a no menos de **30"=75 cm** de la estufa

To preserve the warranty of this product, it is essential to install it at not less than **30"= 75 cm** from the stove.



1. SAFETY WARNINGS	2
2. ELECTRIC SHOCK HAZARD	2
3. INSTALLATION	3
4. MAINTENANCE AND CLEANING	6



1. SAFETY WARNINGS

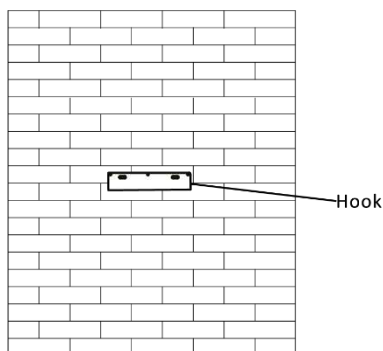
1. Never let children operate the machine.
2. The range hood is for domestic use, not recommended for barbecues, rotisseries or any other commercial purpose.
3. The cooker hood and its filter should be cleaned regularly to keep it working in good condition.
4. Clean the cooker hood according to the instructions in the manual and keep the unit out of danger of burns.
5. Prohibit direct cooking from the gas cooker.
6. Please keep the kitchen with good convection.
7. Before connecting the appliance, check that the power cord is not damaged. Damaged power cord only needs to be replaced by suitable personnel.
8. Adequate ventilation in the kitchen should be provided when using the cooker hood along with other gas appliances or other fuels.
9. The air should not be thrown by a pipe that is used to evacuate fumes from gas appliances or other fuels.
10. The regulations concerning the evacuation of air must be taken into account.
11. Do not place a flame of fire under the hood.
12. The cooker hood should not be installed on stoves having more than 4 burners.
13. This appliance may not be used by persons (including children) with physical, mental, or little or no disability unless instructed to use and supervise the person taking care of their safety.
14. Children should be supervised to ensure that they do not play with the appliance.
15. When the hood and appliances supplied with power other than the electric one are running at the same time, the negative pressure in the room should not exceed 4 Pa (4 x 10⁻⁵ bar).
16. Caution: Accessible parts may become hot by use of the appliance.

2. ELECTRIC SHOCK HAZARD

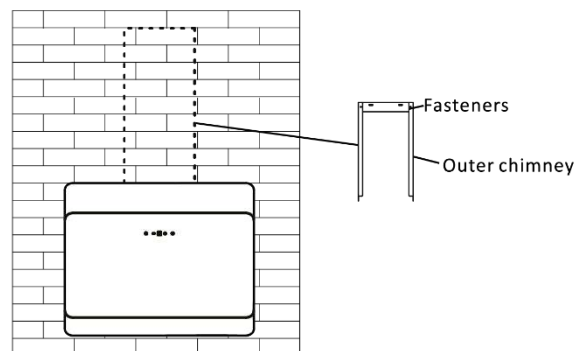
- Only connect this unit to an appropriate ground. If in doubt, consult a qualified engineer.
- Failure to follow these instructions can result in death, fire or electric shock.

3. INSTALLATION

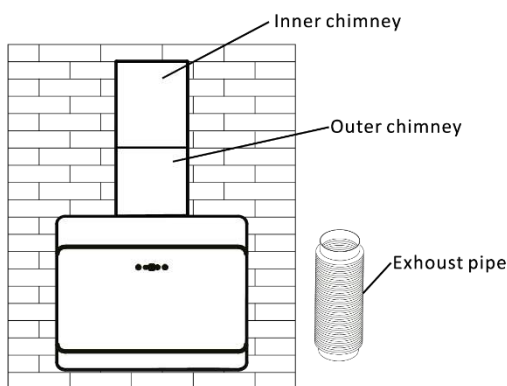
- The hood can be installed as extractor or recirculation hood.
- The range hood should be placed at a minimum installation distance from the stove of 30"= 75 cm. From the cooking surface to obtain the best effect.
- Install the hook on a suitable place once the installation height is fixed, and keep it in line.
- Fix the outside chimney can be adjusted the height in it freely as. See Pic 2.
- Hang the range hood onto the hook plate and fix the chimney with 4 screws.
- Put on the external chimney and fix it with chimney holder. See Pic 3
- Finally, fix the external chimney to the wall. See Pic 4.
- Adjust the height of the inner chimney to the desired positions lightly widen the outer chimney and screw. See Pic 5.
- The extractor uses 2 lights of 1.5W
- **IMPORTANT:** the equipment must have a voltage protector.



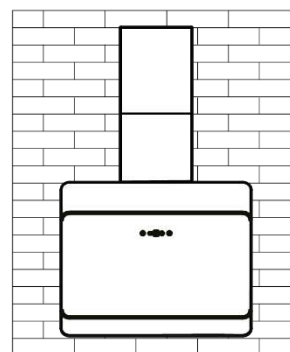
Pic 2



Pic 3



Pic 4

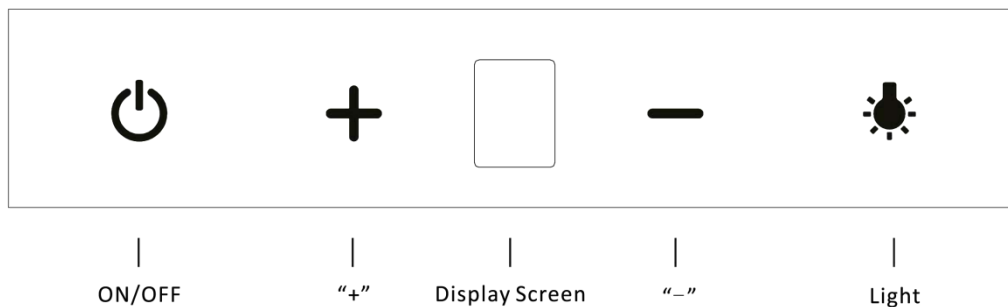


Pic 5

ELECTRONIC BUTTON

- Turn on the power; the buzzer will five times. The sound shows that the appliance is powered.
- Push the low button, the indicating light 1 on, the buzzer will buzz once, and the motor runs at low speed. Push it again and the motor will stop.
- Push the high button, the indicating light 2 on, buzzer will buzz once, and the motor runs at low speed. Push it again and the motor will stop.
- Push the middle button, the indicating light 3 on, the buzzer will buzz once, and motor runs on high speed. Push it again and the motor will stop.
- Push the light button; the indicating light 4 on, and the two lighting lamps will come on. Push it again and the lamp will turn off, with every push the buzzer will buzz one time.

LED Touch Control Panel



The screen shows 8 when it's on. The indication lights are all on and will be off after 1 second. The buzzer sounds and the light of ON/OFF button turns dark.

Light: touch the "light" button for 0.5 second, the light turns on; and touch the "light" button again, the light turns off.

ON/OFF (increase speed): touch the button for 0.5 second, the ON/OFF button light turns on and the display screen shows 1, and its gear1. Touch the button "+", the display screen turns to 2 and it's middle speed. Touch the "+" button for 2nd time, and the display screen turns to 3, and its highest speed.

Notes: the "+" button turns on for 1 second and then turns off after every touch.



When its gear 3, the display doesn't change when the "+" button is touched. The buzzer sounds and the "+" button light turns off after 1 second.

Reduce speed mode:

Touch the "-" button, the display screen shows **2**, and it turns to second speed.

Touch the "-" button again, the display screen shows **1**, and it turns to low speed.

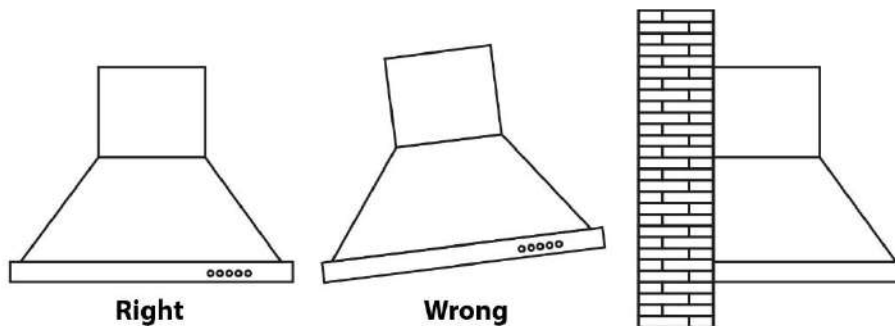
Notes: the "-" button turns on for 1 second and then turns off after every touch.

When it's gear 1, the display doesn't change when the "-" button is touched.

The buzzer sounds and the "-" button light turn off after 1 second.

When the range hood is working, touches the "+" and "-" buttons together, it turns to "Delay Off" function (the range hood turns off automatically after 5 min) and the number on the display screen flashes. Touch the ON/OFF button, the range hood turns off and the buzzer sounds.

NOTICE OF INSTALLATION



- Before installation, please ensure the area is clean to avoid suction of the remaining bits of broken wood and dust.
- It cannot share the same air ventilation tube with other appliance such as gas tube, warmer tube, and hot wind tube.
- The bending of ventilation tube should be $\geq 120^\circ$, parallel or above the start point and should be connected to the external wall.

After installation, make sure that the extractor is level to avoid grease collection at one end.

4. MAINTENANCE AND CLEANING

1. THE CLEANING OF THE CARBON GREASE FILTER MESH

The filter mesh is made of high-density stainless steel. Please do not use the corrosive detergent on it. Keeping this filter clean will keep the appliance running correctly.

The aluminum filters should be cleaned every 15 days with neutral soap, to give more life to the carbon filters.

Please strictly follow the guidelines below.

Method 1: Put the mesh into 40-50c clean water, pour on detergent, and soak for 2-3 mins. Wear gloves and clean with a soft brush. Please do not apply too much pressure, as the mesh is delicate and will damage easy.

Method 2: if instructed to do so, it can be put into a dishwasher, set the temperature at around 60 degrees.

2. NOTICE OD CLEANING COOKER HOOD

- To protect the main body from corrosion over a long period of time, the cooker hood should be cleaned with hot water plus non corrosive detergent every two months.
- Use recommended cleaners for this type of material, we recommend the following;
WD-40.
- Please do not use abrasive detergent for it will damage the body.
- Keep the motor and other spare parts free from water, as this will cause damage to the appliance.
- Before cleaning the appliance please remember to cut off power
- The carbon filters shouldn't be please remember to cut off power
- Please don't tear open the fixed bar around the carbon filter
- If the plug or cord is damaged, please replace it with special soft cord.

User Manual
RANGE HOOD | DIAMOND 90



Fault	Cause	Solution
Light on, but motor does not work	The leaf blocked	Get rid of the blocking
	The capacitor damaged	Replace capacitor
	The motor jammed bearing damaged	Replace motor
	The internal with of motor off or a bad smell from the motor	Replace motor
Light does not work, motor does not work	Beside the above mentioned, check the following:	
	Light damaged	Replace lights
	Power cord looses	Connect the wires as per the electric diagram
Oil leakage	One way valve and the air ventilation entrance are not tightly sealed	Take down the one way valve and seal with glue
	Leakage from the connection of U-shaped section and cover	Take U-shaped section down and seal with soap or pain
Shake of the body	The leaf damaged and causes shaking	Replace the leaf
	The motor is not tightly hanged	Lock the motor tightly
	The body is not tightly hanged	Fixed the body tightly
Insufficient suction	The body is not tightly hanged	Readjust the distance
	Too much ventilation from open doors or windows	Choose a new place and resemble the machine
The machine inclines	The fixing screw not tight enough	Tighten the hanging screw and make it horizontal
	The hanging screw not tight enough	Tighten the hanging screw and make it horizonta.



THIS WARRANTY DOES NOT COVER THE FOLLOWING:

- Filter mesh or light bulb.
- Commercial use
- Modification of the date of manufacture on the plate.
- After 24 months from purchase data.
- Damage to glass parts, S / S, or LED parts.
- Improper installation, misuse, abuse or neglect.
- Incorrectly connected to insufficient or inadequate power source.
- Damage caused by foreign objects.
- Un-installation by unauthorized technicians, use of spare parts from other manufacturers.

For commercial use the maintenance and free service must be discussed with our authorized agent.

After the 24 months of the warranty period, the buyer must pay for the service and spare of needing it.

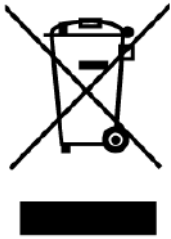
If you need the service, please provide the warranty certificate and purchase invoice.

Shop place: _____

Date of purchase: _____

Model: _____

Warehouse stamp.



**ELIMINATION: No
Remove this product
As municipality
Waste.**

**Collection of
Separate waste
For special treatment is
necessary.**

This Grease Extractor is labeled in accordance with the European Directive 2012/19 / EU for Waste Electrical and Electronic Equipment (WEEE). By ensuring that this fat se Extractor is disposed of properly, it will help prevent any possible harm to the environment and human health, which could otherwise be caused if it were disposed of in the opposite direction.

The symbol on the product indicates that it cannot be treated as a normal residue. It should be taken to a collection point for the recycling of electrical and electronic products.

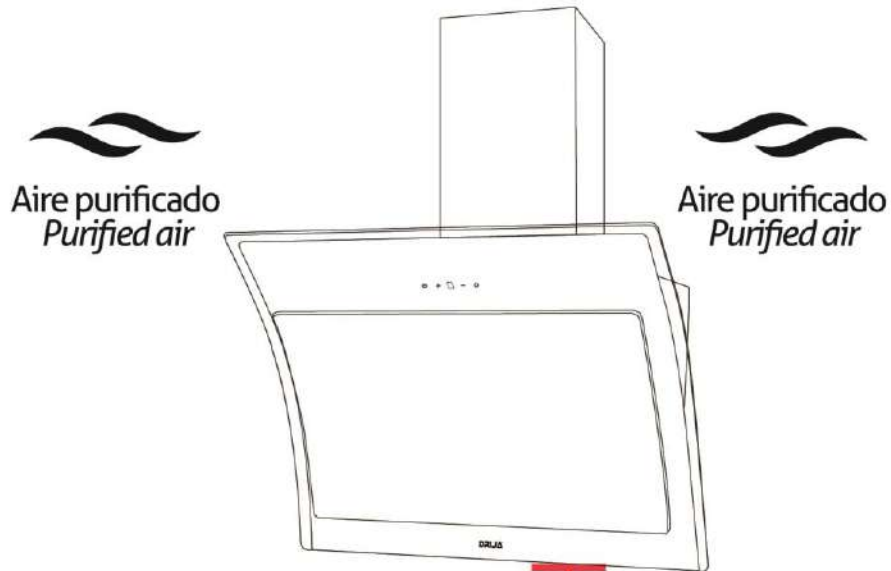
This Gras re extractor is special waste disposal. For more information about treatment, recovery and recycling of this product, contact your local council, your household waste disposal service or the store where you purchased it.

For more detailed information on the treatment, recovery and recycling of this product, please contact your local city office, the household waste disposal service or the shop where you purchased the product.

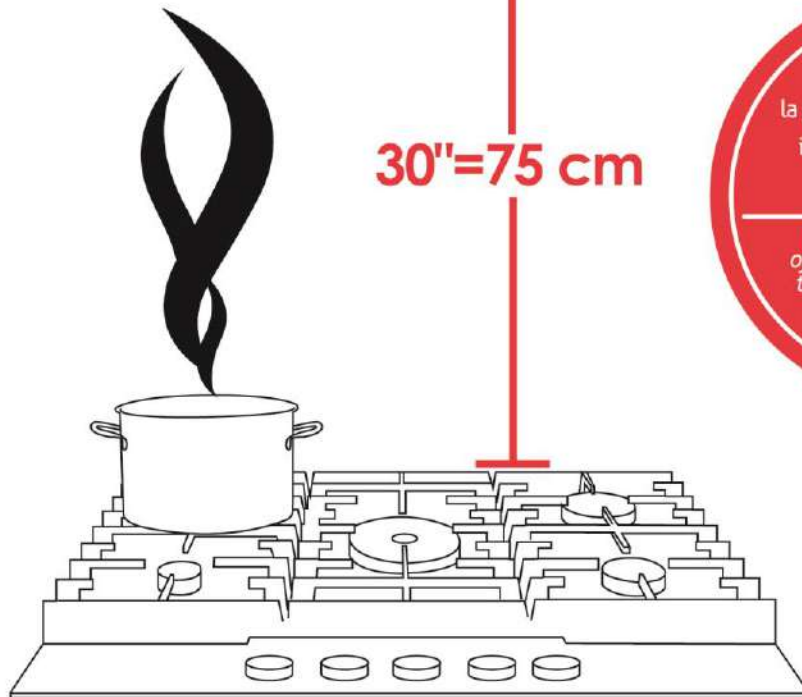
DRIJA®

Diamond 90

Extractor de Grasa / Range Hood



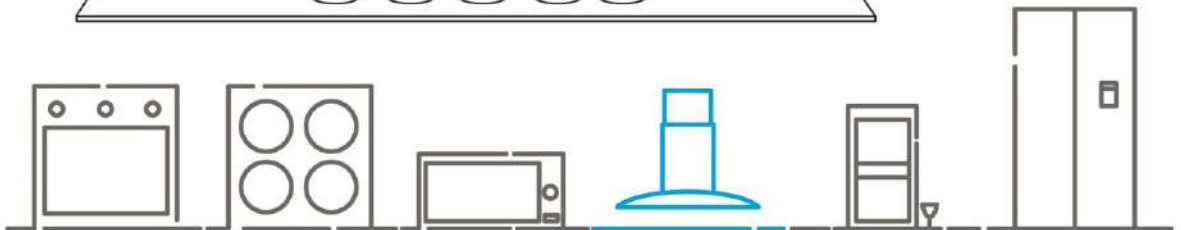
Extracción de aire recirculante
Extraction of recirculating air



Para conservar la garantía de este producto, es indispensable instalarlo a no menos de **30"=75 cm** de la estufa

To preserve the warranty of this product, it is essential to install it at not less than **30"=75 cm** from the stove.

24 MESES de GARANTÍA
MONTHS WARRANTY



Extractores de Grasa
Range Hood