

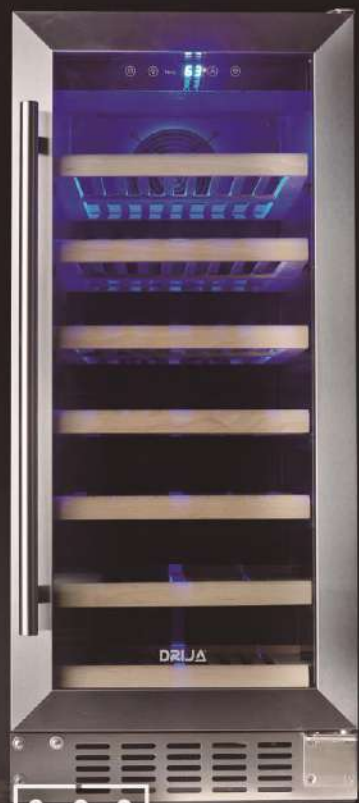


DRIJA®

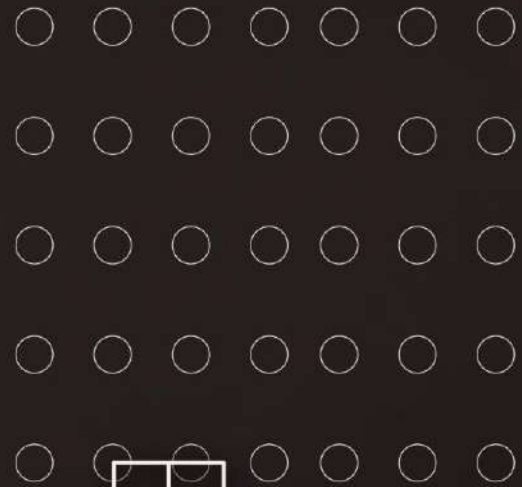
24 MESES de GARANTÍA
MONTHS WARRANTY

Dolcetto 33

Vinera con Compresor
Wine Cooler Compressor



USAMOS GAS REFRIGERANTE R600A
WE USE GAS REFRIGERANT R600A
NO DAÑA LA CAPA DE OZONO Y ES AMIGABLE CON EL PLANETA
DOES NOT DAMAGE THE OZONE LAYER AND IS FRIENDLY TO THE PLANET



Vineras con Compresor

USER MANUAL

110V / 60Hz

NOTA: Para adquirir accesorios y/o repuestos de este producto, contáctenos al call center (según el número de su país que le indique el certificado de garantía) o a nuestras redes sociales

NOTE: To purchase accessories and / or spare parts for this product, contact us at the call center (depending on the number of your country that indicates the warranty certificate) or our social networks

www.DrijaInternational.com

!

Para conservar la garantía de este producto, es indispensable instalarle

Protector de Voltaje

To preserve the warranty of this product, it is essential to install

Voltage Protector

User manual
WINE COOLER WITH COMPRESSOR BUILT-IN | DOLCETTO 33



1. INTRODUCTION	2
2. PARTS & FEATURES	4
3. SPECIFICATIONS OF YOUR WINE CABINET	4
4. INSTALLATION INSTRUCCIONS	5
5. OPERATING YOUR WINE COOLER	9
6. TROUBLESHOOTING GUIDE	13



1. INTRODUCTION

- The packaging materials that manufacturer uses are environmentally friendly and can be recycled.
- Please discard all packaging material with due regard for the environment.

IMPORTANT SAFETY INFORMATION

- Please read these instructions carefully before the first use of this product and save this manual for your future reference.

IMPORTANT: Any installation work must be carried out by a qualified electrician or competent person.

USE OF THE APPLIANCE

- Your appliance is only designed to be used in the home. It is suitable for storing and chilling wine. NO food stuffs must be stored in the appliance. If it is used for any other purpose or it is not used correctly, the manufacturer will accept no liability for any damage that is caused.
- Altering the specification of the appliance must not be attempted for reasons of safety.

BEFORE USING YOUR APPLIANCE

- Check the appliance for any signs of transport damage. If you notice any damage, then you should not connect your appliance to your mains supply and should contact your retailer.

REFRIGERANT

- Your appliance contains R600A refrigerant, which is a natural gas that does not contain CFCs that can damage the environment.
- Do not place any objects on top of the appliance, as this may damage the table top.



CHILD SAFETY

- Packaging material should be kept away from children.
- Children should not be allowed to touch the controls or play with the appliance.

GENERAL SAFETY

- Do not pull on the power supply cable to remove the plug from your mains supply socket.
- Do not pull out or insert the plug with wet hands.
- Do not attempt to use your appliance outdoors or any place where it is likely to come into contact with the elements.
- Before cleaning the appliance or performing maintenance work, ensure that the appliance has been disconnected from your mains supply.
- Never allow the back coils of the appliance to come into contact with the wall surface.
- Always ensure that the location where you are installing your appliance is free of stored items such as papers and other flammable materials.
- Never block the ventilation openings of the appliance, either on the inside or its exterior.
- It is vital to keep your appliance well ventilated, so that there is proper air flow between the bottom of the unit and the plinth/kick plate which it is sitting on.
- Do not place electrical devices inside of the appliance, such as mixers or ice cream makers.

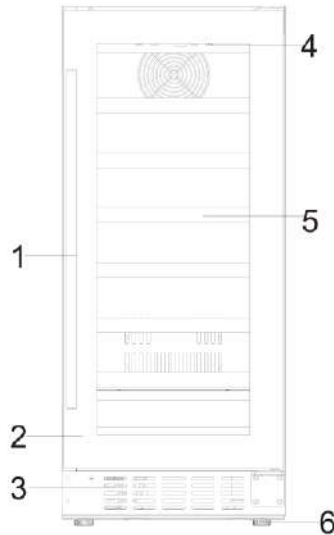
Service

You should not attempt to repair the appliance yourself, as this could cause injury or a more serious malfunction. If you require a service call then please contact the Customer Care Department.

IMPORTANT:

- **CURRENT 110V-120V**
- **Have a voltage protector.**

2. PARTS & FEATURES



1.Door Handle

4.Wooden shelf

2.Stainless Steel Door

5.Control Panel

3.Bottom Grille

6.Leveling Legs(4)

3. SPECIFICATIONS OF YOUR WINE CABINET

- Gross capacity: 85 litres
- Bottle capacity: 33 x 0.75 litre Bordeaux style wine bottles
- Single zone
- Electronic push button control operation
- LED display
- Blue colour led illumination
- 7 Adjustable wooden shelves
- Adjustable temperature
- Internal light
- Water drainage
- Black exterior



- Reversible door
- Adjustable feet
- Tempered glass door
- Stainless steel door frame and handle SS 304
- Designed to store wine at its optimum temperature between 5°C and 18°C.
- Compressor cooling
- Wood grilles
- Voltage : 110v-120v
- Frequency: 60hz
- Instruction manual in english and spanish
- With guarantee certificate

TECHNICAL DATA

Model :	DOLCETTO 33
Capacity	33 standard wine bottles
Voltage	110-120V/60Hz
Current	0.9A
Energy Consumption	0.79kwh/24h
Temperature Range	Zona inferior: 40°F and 65°F(5°C and 18°C)
Net Weigth	35kgs
Unit Dimension (WxDxH)	375 mmx570 mmx865 mm

4. INSTALLATION INSTRUCTIONS

BEFORE USING THE WINE COOLER

- Remove the exterior and interior packing.
- Check to be sure you have all of the following parts:



- 1 Instruction Manual
- 7 Wine Bottle Shelves
- Before connecting the wine cooler to the power source, let it stand upright for approximately 2 hours. This will reduce the possibility of a malfunction in the cooling system from handling during transportation.
- Clean the interior surface with lukewarm water using a soft cloth.
- Install the handle on the left side of the door.

INSTALLATION OF THE WINE COOLER

- This appliance is designed to be for free standing installation or built-in (fully recessed).
- Place your wine cooler on a floor that is strong enough to support it when it is fully loaded. To level your wine cooler, adjust the front levelling legs at the bottom of the wine cooler.
- Locate the wine cooler away from direct sunlight and sources of heat (stove, heater, radiator, etc.). Direct sunlight may affect the acrylic coating and heat sources may increase electrical consumption. Extreme cold ambient temperatures may also cause the unit not to perform properly.
- Avoid locating the unit in moist areas.
- Plug the wine cooler into an exclusive, properly installed-grounded wall outlet. Do not under any circumstances cut or remove the third (ground) prong from the power cord. Any questions concerning power and/or grounding should be directed toward a certified electrician.

BUILT-IN CABINET INSTRUCTIONS

This unit is designed for either built-in or free standing installation. For free standing installation, 5 inches (127mm) of space between the back and sides of the appliance are suggested, which allows the proper air circulation to cool the compressor and condenser. Even for built-in installation, it is a must to keep a 1/4" (6.35mm) space on each side and the top.



CABINET OPENING DIMENSIONS(minimum)	
DOLCETTO 33	
Width	380mm
Depth	625mm
Height	875mm

And the air vent at the front of the appliance must never be covered or blocked in any way.

ELECTRICAL CONNECTION

⚡ **WARNING** ⚡: Improper use of the grounded plug can result in the risk of electrical shock. If the power cord is damaged, have it replaced by a qualified electrician or an authorized service center.

This appliance should be properly grounded for your safety. The power cord of this appliance is equipped with a three-prong plug which mates with standard three prong wall outlets to minimize the possibility of electrical shock. Do not under any circumstances cut or remove the third ground prong from the power cord supplied. For personal safety, this appliance must be properly grounded.

This appliance requires a standard 110-120 Volt AC~60Hz electrical ground outlet with three-prong. Have the wall outlet and circuit checked by a qualified electrician to make sure the outlet is properly grounded. When a standard 2-prong wall outlet is encountered, it is your responsibility and obligation to have it replaced with a properly grounded 3-prong wall outlet. The cord should be secured behind the appliance and not left exposed or dangling to prevent accidental injury.

The appliance should always be plugged into its own individual electrical outlet which has a voltage rating that matches the rating label on the appliance. This provides the best performance and also prevent overloading house wiring circuits that could cause a fire hazard



from overheated. Never unplug the appliance by pulling the power cord. Always grip the plug firmly and pull straight out from the receptacle. Repair or replace immediately all power cords that have become frayed or otherwise damaged. Do not use a cord that shows cracks or abrasion damage along its length or at either end. When moving the appliance, be careful not to damage the power cord.

POWERBAR WITH SURGE PROTECTION (RECOMMENDED)

Most electrical appliances use a series of electric control boards to operate. These boards are very susceptible to power surges and could be damaged or destroyed.

If the appliance is going to be used in an area or if your city / country is prone to power surges / outages; it is suggested that you use a power surge protector for all electrical devices / appliances you use. The surge protector that you select must have a surge block high enough to protect the appliance it is connected to. If you have any questions regarding the type and size of surge protector needed contact a licensed electrician in your area.

EXTENSION CORD

Because of potential safety hazards under certain conditions, it is strongly recommended that you do not use an extension cord with this appliance. However, if you must use an extension cord it is absolutely necessary that it be a VED-Listed, 3-wire grounding type appliance extension cord having a grounding type plug and outlet and that the electrical rating of the cord be 220-240 volts and at least 10 amperes.

INSTALLING THE HANDLES

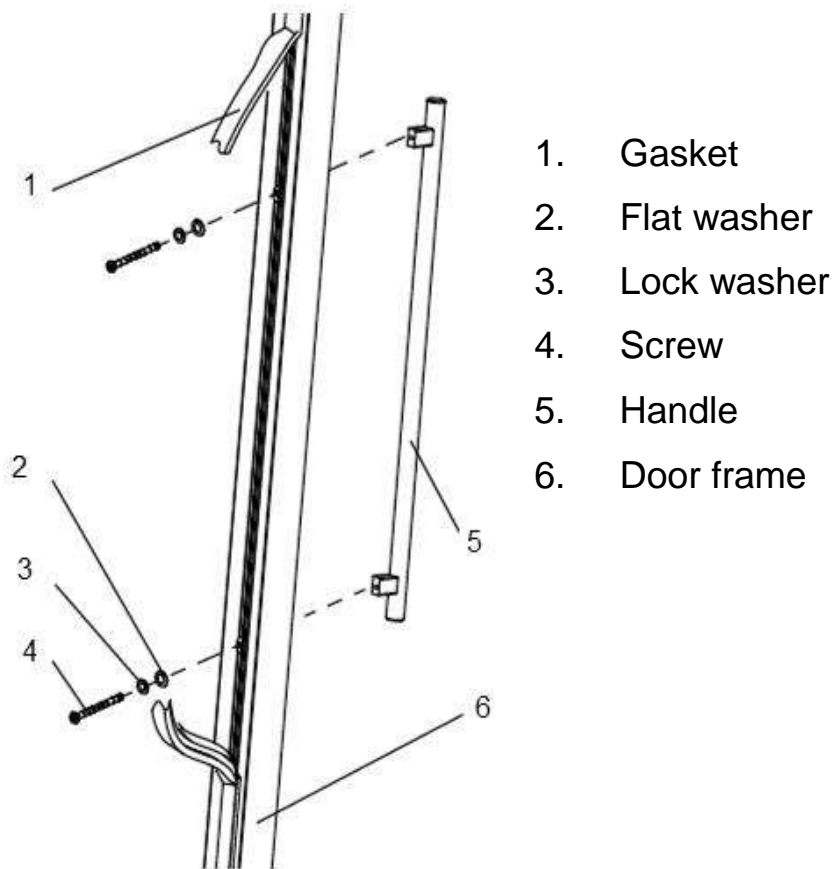
This wine cooler includes 1 stainless steel handles. To install the handle please follow the below instructions:

1. Remove the door gasket where the handle should be installed on the left side of the door, as shown below. You won't need tool since the gasket can be removed by hand. You can start with a corner if you can't remove it from the center.
2. Use the two handle screws, lock washer and flat washer included in the bag containing



the instruction manual and insert them into the side of the door from the inside to the outside.

3. Align the holes in the handle with the screws, tighten the screws using the screwdriver until the base of the handle is at the level of the door and that the handle is tight but not too tight to damage the assembly.
4. Replace the gasket the door in place.



5. OPERATING YOUR WINE COOLER

It is recommended you install the wine cooler in a place where the ambient temperature is between 60°F-90°F. If the ambient temperature is above or below recommended temperatures, the performance of the unit may be affected. For example, placing your unit in



extreme cold or hot conditions may cause interior temperatures to fluctuate. The range of 5-18°C (40-65°F) may not be reached.

RECOMMENDED TEMPERATURE SETTINGS

Wine conservation: 12°C-14°C (53°F-57°F)

Rose and sparkling wines: 5°C-8°C (41°F-46°F)

Dry/white wines: 9°C-12°C (48°F-53°F)

Red wines: 14°C-18°C (58°F-65°F)

CONTROL PANELS



ON/OFF: To turn on or off the unit, press this button for 5 seconds.



INSIDE LIGHTING: To turn on or off the lighting, press on the light button.



[+] BUTTON: To increase the temperature by 1°C or 1°F



[-] BUTTON: To decrease the temperature by 1°C or 1°F

°F /°C SELECTOR

Select the temperature display setting in Fahrenheit or Celsius degree. To display the temperature to your preference (°C or °F), press and hold the LIGHT key for 5 seconds.



SETTING THE TEMPERATURE

- The Unit is between 40°F and 65°F(5°C and 18°C).
- When the unit is plugged in for the first time, the unit will power up automatically to the preset defaults. The preset temperature is 54°F(12°C).

The temperature will increase by 1°C or 1°F if you touch UP once, or the temperature will decrease by 1°C or 1°F if you touch DOWN once. To view the set temperature at any time, touch the UP or DOWN marks. The set temperature will temporarily flash in the LED display for 5 seconds. Then the display shows the current internal temperature.

Note: If the unit is unplugged, power lost, or turned off you must wait 3 to 5 minutes before restarting the unit. If you attempt to restart before this time delay the unit will not start. When you use the unit for the first time or restart the unit after having been shut off for a long time, there could be a few degrees variance between the temperature you select and the one indicated on the LED readout. This is normal and it is due to the length of the activation time. Once the unit is running for a few hours everything will normalize.

STORAGE CAPACITY

Bottles may differ in size and dimensions. The actual number of bottles you are able to store may vary. You can place 33 standard bottles in the wine cooler. Bottle capacities are approximate maximums when storing traditional Bordeaux 750 ml bottles.

SHELVES

To prevent damaging the door gasket, make sure to have the door completely opened when pulling the shelves out of the rail compartment. For easy access to the storage content, you must pull the shelf conservatively out of the rail compartment; however this unit was designed with a plastic post on each side of the shelf track to prevent bottles from falling. When



removing the shelf out of the inner rail, make sure to remove all items first. Then move the shelf to the position where the notch of the shelf is exactly under the plastic post and lift the shelf. In order to replace the shelf, repeat these directions in reverse.

Cleaning the Wine Cooler

Turn off the power, unplug the appliance, and remove all items including shelves. Wash the inside surfaces with a warm water and baking soda solution. The solution should be about 2 tablespoons of baking soda to 1 cup of water.

Wash the shelves with a mild detergent solution. Wring excess water out of the sponge or cloth when cleaning area of the controls, or any electrical parts.

Wash the outside cabinet with warm water and mild liquid detergent. Rinse well and wipe dry with a clean soft cloth. Do not use steel wool or steel brush on the stainless steel. These will contaminate the stainless steel with steel particles and rusting may occur.

Do not use steel wool or steel brush on the stainless steel. These will contaminate the stainless steel with steel particles and rusting may occur. Do not connect or disconnect the electric plug when your hands are wet. Never clean appliance parts with flammable fluids. These fumes can create a fire hazard or explosion. Do not use solvent-based cleaning agents or abrasives on the interior. These cleaners may damage or discolour the interior.

POWER FAILURE

Most power failures are corrected within a few hours and should not affect the temperature of your appliance if you minimize the number of times the door is opened. If the power is going to be off for a longer period of time, you need to take the proper steps to protect your contents.

Moving the Wine Cooler

- Remove all items (bottles)
- Tape down securely all loose items (shelves) inside your appliance.
- Turn the adjustable leg up to the base to avoid damage.



- Tape the door shut.

Be sure the appliance stays secure in the upright position during transportation. If you absolutely need to transport the wine cooler horizontally, transport the wine cooler on its back (doors on top). Also protect outside of appliance with a blanket, or similar item.

ENERGY SAVING TIPS

The wine cooler should be located in the coolest area of the room, away from heat producing appliances, and out of the direct sunlight.

Ensure that the unit has proper allowances on all sides for proper ventilation. Never cover any air vents.

Only open the cooler door for as long as necessary. Frequent opening of the door will affect internal temperature.

6. TROUBLESHOOTING GUIDE

IMPORTANT: If your wine cooler appears not to be operating properly, before contacting the Customer Care Department, please refer to the checklist below.

PROBLEM	POSSIBLE CAUSE	SOLUTION
The appliance does not operate.	Not plugged in. The appliance is turned off. The circuit breaker tripped or a blown fuse.	Plug the unit. Press the power button to turn on the unit. Check the breaker and/or fuses.
The appliance is not cold enough.	External environment may require a higher setting. The door is opened too often. The door is not closed completely. The door gasket does not seal properly.	Check the temperature control setting. Close the door properly. Check the door gasket.
The compressor turns on and off frequently.	The room temperature is hotter than normal. A large amount of contents has been added to the unit. The door is opened too often. The door is not closed completely.	Close the door properly. Check the door gasket.

User manual
WINE COOLER WITH COMPRESSOR BUILT-IN | DOLCETTO 33



	<p>The temperature control is not set correctly.</p> <p>The door gasket does not seal properly.</p>	
<p>The light does not work.</p>	<p>Not plugged in.</p> <p>The circuit breaker tripped or a blown fuse.</p> <p>The light button is "OFF".</p>	<p>Plug the unit.</p> <p>Check the breaker and/or fuses.</p>
<p>Vibrations.</p>	<p>The unit is not levelled</p> <p>The bottles are vibrating.</p> <p>There is an object under the unit.</p>	<p>Check to assure that the unit is level.</p> <p>Make sure the bottles don't touch each other.</p> <p>Remove the object.</p>
<p>The appliance seems to make too much noise.</p>	<p>The unit is not level.</p>	<p>Level the unit.</p> <p>The rattling noise may come from the flow of the refrigerant, which is normal. As each cycle ends, you may hear gurgling sounds caused by the flow of refrigerant in your unit. Contraction and expansion of the inside walls may cause popping and crackling noises.</p>
<p>The door will not close properly.</p>	<p>The unit is not level.</p> <p>The door was reversed and not properly installed.</p> <p>The gasket is dirty.</p> <p>The shelves are out of position.</p>	<p>Level the unit.</p> <p>Close the door properly.</p> <p>Clean the door gasket.</p> <p>Place the shelves properly.</p>
<p>Turns on an off frequently</p>	<p>The room temperature is hotter than normal. A large amount of contents has been added to the appliance. The door is opened too often. The door is not closed completely. The temperature control is not set correctly. The door gasket does not seal properly.</p>	<p>Check if the door is well close</p> <p>Check if the gasket is ok.</p>
<p>'EL' or 'EH' Error codes shown on the display</p>	<p>A sensor has failed.</p>	<p>Contact us for a service call.</p>




ENVIRONMENTAL NOTE

Note: Before discarding an old appliance, switch off and disconnect it from the power supply. Cut off and render any plug useless. Cut the cable off directly behind the appliance to prevent misuse. This should be undertaken by a competent person. Disable the door lock to make sure that children cannot get stuck inside the appliance.

This appliance is marked according to the European directive 2002/96/ EC on Waste Electrical and Electronic Equipment (WEEE). By ensuring this product is disposed of correctly, you will help prevent potential negative consequences for the environment and human health, which could otherwise be caused by inappropriate waste handling of this product.



The symbol  on the product, or on the documents accompanying the product, indicates that this appliance may not be treated as household waste. Instead it shall be handed over to the applicable collection point for the recycling of electrical and electronic equipment.

Disposal must be carried out in accordance with local environmental regulations for waste disposal.

For most detailed information about treatment, recovery and recycling of this product, please contact your local city office, your household waste disposal service or the shop where you purchased the product.

