

PRODUCTOS  
**Inspirados**  
EN  
DISEÑOS ITALIANOS

# DRIJA®

**24** MESES  
de GARANTÍA  
MONTHS WARRANTY

WE GIVEAWAY  
IN ALL OUR RANGE HOOD

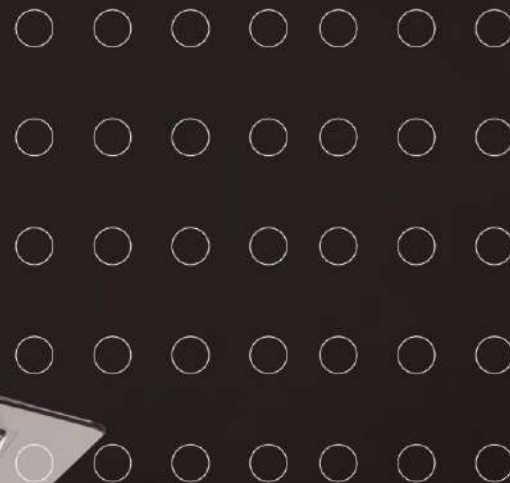
OBSEQUIAMOS  
EN TODOS NUESTROS EXTRACTORES DE GRASA

## Galaxy 60

Extractor de Grasa  
Range Hood



2 Filros de Carbón Activo  
2 Active Carbon Filters



Extractores de Grasa  
Range Hood

## USER MANUAL

110 V / 60Hz

NOTA: Para adquirir accesorios y/o repuestos de este producto, contáctenos al call center (según el número de su país que le indique el certificado de garantía) o a nuestras redes sociales

NOTE: To purchase accessories and / or spare parts for this product, contact us at the call center (depending on the number of your country that indicates the warranty certificate) or our social networks

   [www.DrijaInternational.com](http://www.DrijaInternational.com)

Para conservar la garantía de este producto, es indispensable instalarlo a no menos de **30"=75 cm** de la estufa

To preserve the warranty of this product, it is essential to install it at not less than **30"= 75 cm** from the stove.



1. SAFETY WARNINGS .....	2
2. SPECIFICATIONS .....	2
3. INSTALLATION .....	3
4. INSTRUCTIONS FOR USE .....	4
6. MAINTENANCE AND CLEANING .....	5

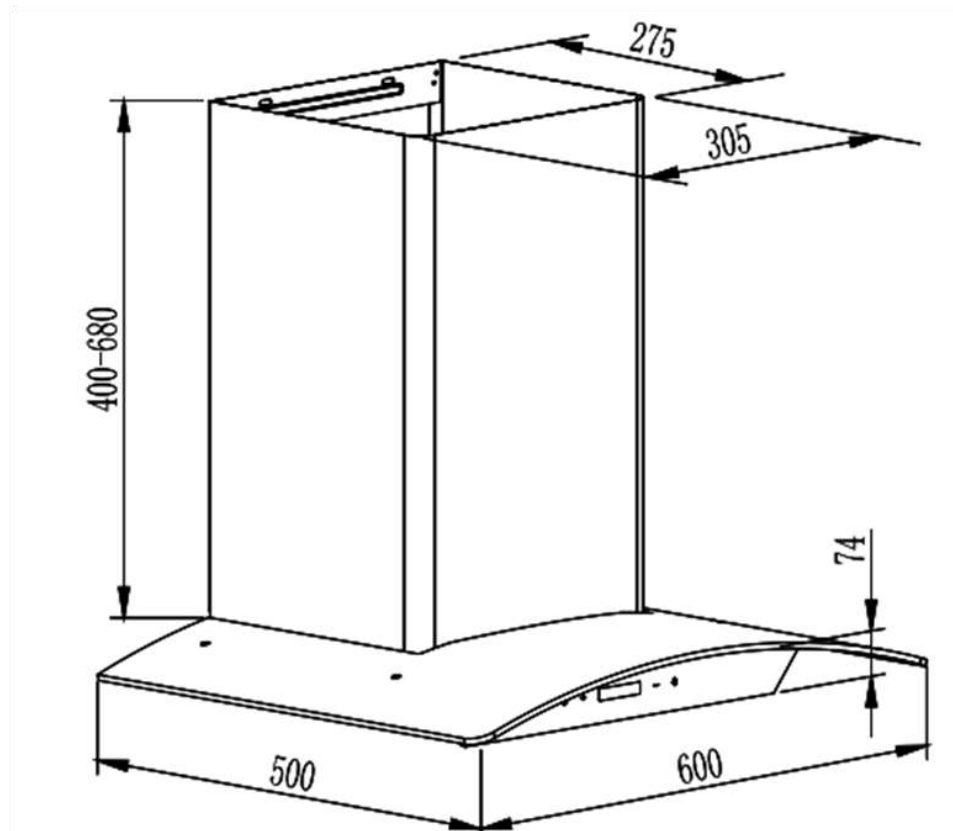


## 1. SAFETY WARNINGS

Your security is important for us. Read this information before using your Extractor.

- Do not use gas burners under the extractor without placing a skillet over them (flames will creep upward and may damage the appliance)
- Frying under the extractor should be kept under constant supervision.
- Repairs should only be performed by an authorized specialist.
- Clean the cartridge filter regularly (about once a month)
- The extractor is not allowed to be used on a solid fuel stove (wood, coal, etc.).



## 2. SPECIFICATIONS



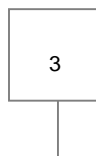


### ***Control Panel***



1. Low speed: turn on the power and then press 1, the motor will run at low speed.
2. Medium speed: turn on the power and then press 2, the motor will run at medium speed.
3. High speed: turn on the power and then press 3, the motor will run at high speed.
4. Power key: the engine is running, then press the key , the engine will stop to run.
5. Light button: connect the power cord and then press , the light will turn on, press it again, the light will turn off.

## **3. INSTALLATION**



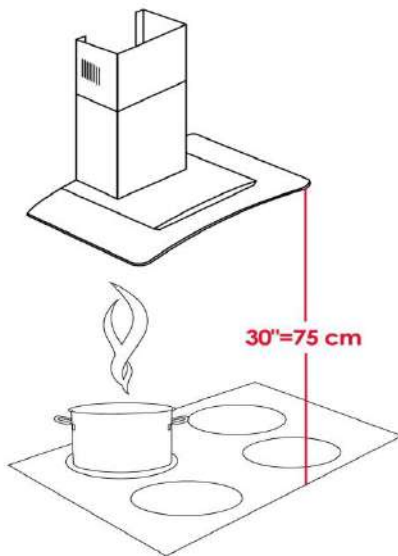


## MOUNTING

The extractor should be 75 cm above the stove. To adjust it correctly: -

- Draw a vertical line on the wall to center your hood (and your fat extractor) properly on your kitchen.
- Make a mark on the vertical line 75 cm above the surface of your kitchen.

This vertical line and the mark at 75 cm will help you correctly position the supplied adjustment template.

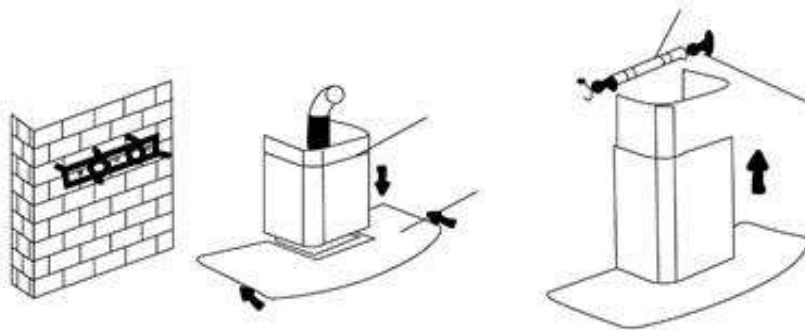


To install on the wall each hole of 100mm 3 holes whose diameter is 8mm in a suitable place in line with the hook of the extractor:

- Insert the screws into the holes. –
- Fix the hook on the wall; put the drill template on the hook. See photo 1. Add the tube to the unidirectional valve, and put it outdoors.
- Install the grease extractors.
- Place the glass according to the lead direct. Use the screws to secure the glass, when installing the glass screws; do not force it firmly to prevent glass cracking.



- Drill 2 holes of 8 mm in a suitable place in line with the 2nd plate and fix, then place two screws (loosen but not place) directly on the plate, then pull the internal fat extractor on the second plate and tighten The two screws.



This appliance is supplied with a H05 VVF power cable with 3 0.75 mm<sup>2</sup> (2 phase + ground) conductors and must be connected to the 1 230 V single-phase mains by means of a plug complying with CE183 Be easily accessible after installation or a double pole isolator is also required if the plug is not accessible. We will not be liable for any accidents resulting from an incorrect or non-existent ground connection. Your main fuse should be 10 or 16 amp. Circuit diagram

## 4. INSTRUCTIONS FOR USE

### Low speed:

- For simmering dishes that do not produce steam,
- Ventilate the kitchen.

Average speed:



- For standard cooking operations

**High speed:**

- When large amounts of smoke or steam are produced (frying, cooking under pressure ...)
- Always return to medium speed as soon as possible.
- For maximum efficiency of your appliance:
- Use the back cooking areas on your stove of preference

We advise you to switch on the extractor as soon as you start cooking and, if necessary, keep it on for a few minutes after cooking.

**NB:**

Change the air in the room of ten by ventilating it as much as possible.

Keep in mind that at high speed the volume of air in a kitchen is changed in a few minutes.

**IMPORTANT**

- Do not use the extractor without the filter.

## ***5. MAINTENANCE AND CLEANING***

Never use metal abrasive pads, abrasive cleaners, or very stiff brushes.

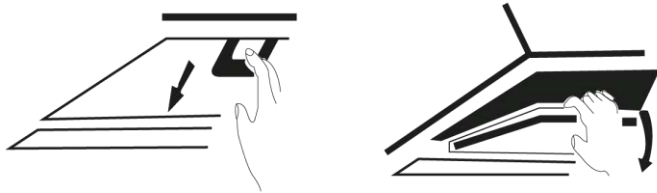
To clean the lightweight cover, use only a household cleaner diluted with water, then rinse with clean water and wipe dry with a soft cloth.

**Once the product is clean, it is recommended to apply mineral oil or baby oil to the steel with a clean, dry towel. For the cleaning of the glasses, we suggest to apply alcohol (with great caution) with a dry and clean towel**

**ESSENTIAL:** Clean these filters every month to avoid any risk of fire. The filter collects greasy smoke and dust and is an element that plays an important role in the flammable when saturated with fatty residues. Clean it with a commercial household cleaner, then rinse thoroughly and dry. This cleaning can be done in your dishwasher with the filter upright (do not allow it to come in contact with dirty dishes and pans)

Before using the cartridge filter for the first time, remove the protective film.

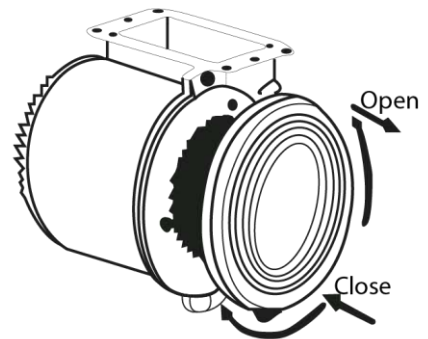
To remove the filter from the cartridge



1. Push back
2. Turn the filter down with one hand after cleaning, replace the filter, performing the same operations in reverse order
3. ANNUAL CLEANING: Activated charcoal filter Applies only to manifold installed as units of recirculation (not ventilated to the outside). This filter will catch the odor and should be changed at least once a year depending on how much it is underneath. Order these filters from your dealer (using the nameplate reference number inside the extractor) and keep a note of the date it was changed.

#### **WARNING:**

1. Disconnect the extractor before performing any service.
2. Remove the filters.
3. Insert the new carbon filter into the fan extractor
4. On the inner surface, then rotate directly.
5. Repeat the same operation for all cassette filters
6. Re-attach the filters.



## **CHANGING THE LIGHT BULBS**

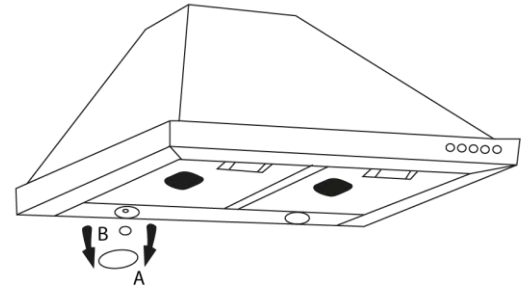
Disconnect the extractor by unplugging it or shutting it off before performing any maintenance





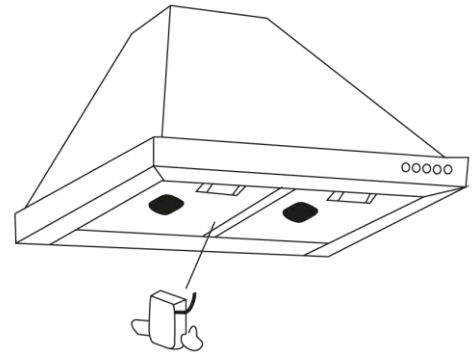
**MODEL WITH LED LIGHT**

1. Remove the chrome edges "A" by turning them anticlockwise.
2. Replace type 2W LED by unscrewing
3. Replace the assembly by performing the operations in reverse order.



**MODEL USING BULB LIGHTS OR NEON TUBE**

1. Unscrew the screw securing the light cover.
2. Tilt back.
3. The type of bulb you use is 2W LED, replace the bulb, unscrew, and screw the new bulb (see diagram).
4. Replace the light cover; screw the light cover back on.



**Technical Data :**

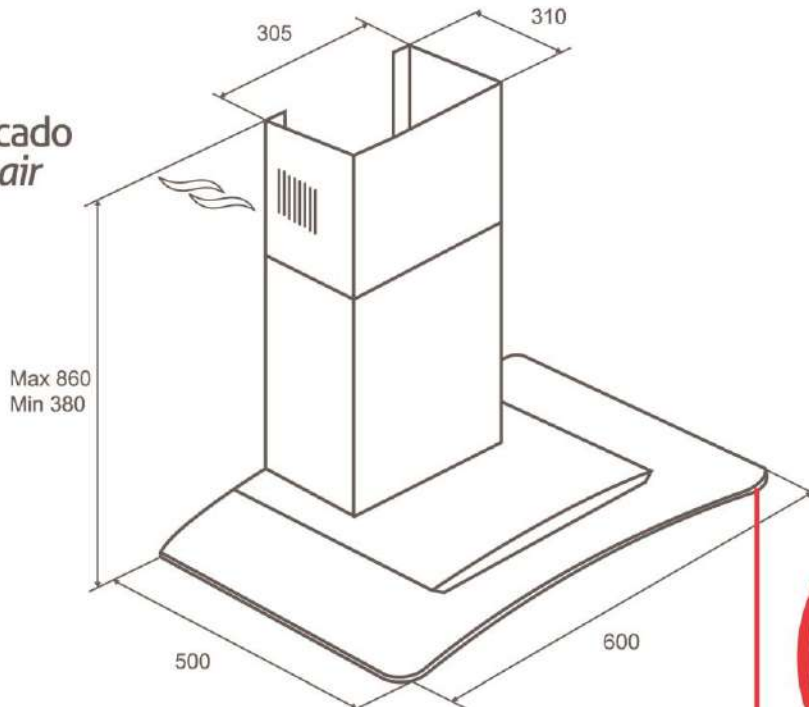
Input Power:	140W		180W		220W	
Input Power:	110 - 127V	220 - 240V	110 - 127V	220 - 240V	110 - 127V	220 - 240V
RAted:	60HZ	50HZ	60HZ	50HZ	60HZ	50HZ
Frequency:						
IRated Current:	0.8-1.5A		0.8-1.5A		0.8-1.5A	

# DRIJA®

# Galaxy 60

Extractor de Grasa / Range Hood

Aire purificado  
Purified air



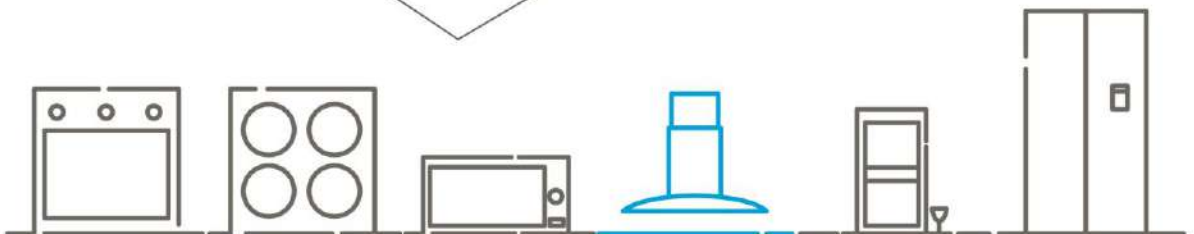
Extracción de aire recirculante  
Extraction of recirculating air



Para conservar la garantía de este producto, es indispensable instalarlo a no menos de **30"=75 cm** de la estufa

To preserve the warranty of this product, it is essential to install it at not less than **30"=75 cm** from the stove.

**24** MESES de GARANTÍA  
MONTHS WARRANTY



Extractores de Grasa  
Range Hood