



DRIJA®

24 MESES de GARANTÍA
MONTHS WARRANTY

WE GIVEAWAY IN ALL OUR OVENS

OBSEQUIAMOS
EN TODOS NUESTROS HORNOS



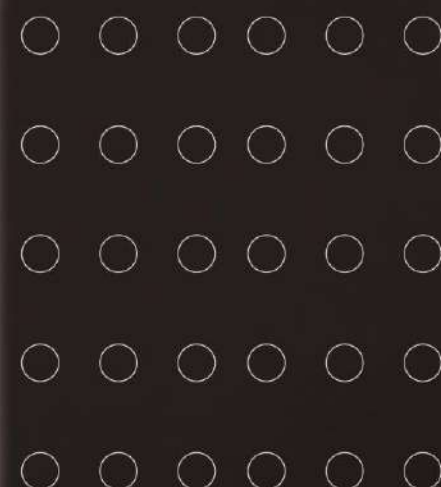
1 Bandeja Recolectora de Grasa
1 Grease Collector Tray

Latino 60 ELÉCTRICO

Horno de Cocina Eléctrico para Empotrar
Electric Built Oven

72Lts
Capacidad
Capacity

Amplia Zona de Cocción
Wide Cooking Zone



Horno de Cocina Eléctrico para Empotrar
Electric in Built Oven

USER MANUAL

220-240 V / 50-60Hz

NOTA: Para adquirir accesorios y/o repuestos de este producto, contáctenos al call center (según el número de su país que le indique el certificado de garantía) o a nuestras redes sociales

NOTE: To purchase accessories and / or spare parts for this product, contact us at the call center (depending on the number of your country that indicates the warranty certificate) or our social networks

www.DrijaInternational.com

User Manual
BUILT-IN OVEN | LATINO 60 ELÉCTRICO



1. SAFETY WARNINGS	2
2. PRODUCT DESCRIPTION	3
3. CLEANING AND MAINTENANCE	5
4. INSTALLATION.....	9

1. SAFETY WARNINGS

Read carefully all the instructions contained in this brochure. It provides you with important information about the safe installation, use and maintenance of the device, as well as useful tips to get the most out of your oven. Keep this booklet in a safe place for future reference. After removing the packaging, verify that the appliance is not damaged in any way.

Be careful not to leave the packing materials (plastic sheets, expanded polystyrene, etc.) where children can reach them, as they can be dangerous.

IMPORTANT: Do not use the oven door handle to move the appliance, such as to remove it from the packaging.

ATTENTION: The oven is a device that, by its nature, heats up, especially in correspondence with the glass door. Therefore, it is a good rule that children do not approach the oven when it is running, particularly when the grill is in use.

The first time you turn on the oven, a pungent smell of smoke may appear. This is caused by the heating of the adhesive used in the insulation panels surrounding the oven. There is nothing unusual in this. If it happens, simply wait until the smoke disappears before putting food in the oven. Never roast or bake at the base of the oven.

Security is a good habit to enter

- This appliance is designed for non-professional domestic use and its functions should not be changed.
- The electrical system of this appliance can be used safely only when properly connected to an efficient grounding system in accordance with the safety regulations currently in force.
- The manufacturer is not responsible for damages that may arise from improper installation or incorrect, incorrect or irrational use of the device.

The following elements are potentially dangerous and, therefore, appropriate measures must be taken to prevent children and the disabled from coming into contact with them:

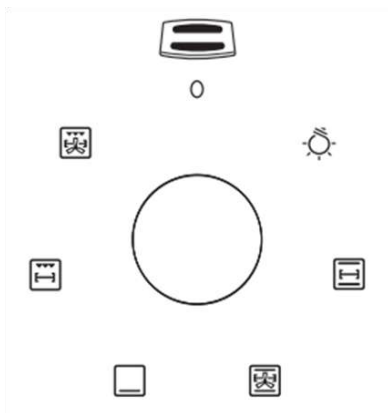
- Controls and the device in general;
- Packaging (bags, polystyrene, nails, etc.);
- The appliance immediately after using the oven or grill due to the heat generated;
- The device when it is no longer in use (potentially dangerous parts must be safe).
- Avoid the following:
 - Touch the device with wet parts of the body;
 - Use of barefoot apparatus;

- Pulling the appliance or the power cord to unplug it from the power outlet;
- Obstruct the ventilation or heat dissipation slots;
- Allow the power cables of small appliances to come into contact with the hot parts of the appliance;
- Expose the device to atmospheric agents (rain, sun);
- Use of the oven for storage purposes;
- Use of flammable liquids near the device;
- Use of adapters, multiple plugs and / or extension cables;
- Try to install or repair the device without the assistance of qualified personnel.

2. PRODUCT DESCRIPTION

Oven Specifications

Control Panel



A light in the oven



It is indicated for cooking on the grill, roasting and gratin. This function should always be used with the door ajar and the control protection in position.



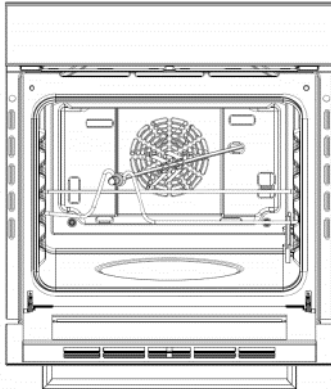
Ventilated grill: Do not set the thermostat knob (C) to more than 175 ° C. During the grill, keep the oven door closed. All grill and fan components work. In this configuration, the central heating elements at the top work. This combination of mandatory characteristics in the oven air throughout the cycle increases the heat radiation effect of the non-directional heating elements. This will allow heat to penetrate internal foods and prevent the surface of food from carbonizing.



Conventional oven fan: the heating element surrounds a fan that distributes the hot air around the oven. The result is a more uniform temperature throughout the oven and a much faster cooking.



Lower heating element



Using the turnstile

In "CONVECTIONAL OVEN" models, the tourniquet can be used in combination with the grill. After placing the food on the grill S, block it with the two forks F. then proceed as follows:

Place the knob protection as shown in (fig. 6)

- Fit the bracket into the circular groove in the grill.
- Unscrew and remove the handle A.
- Place the baking sheet with a little water on the lower shelf of the oven.
- Turn the knob to the position to start the engine.
- Partially close the oven door (fig. 6b).
- When the cooking time is over, screw the handle on the grill and remove everything from the oven. If necessary, use an oven mitt to avoid burns.

THE OVEN CONTAINS:

1 GRILL

1 TRAY

1 BULB

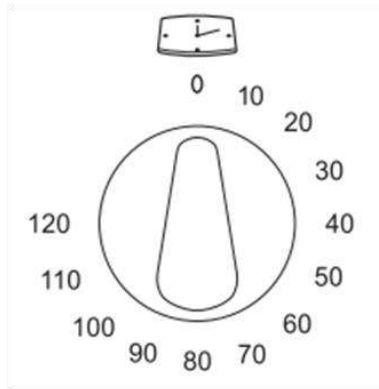
Timers

Our ovens can be equipped with different types of timers:

MINUTE COUNTERS

Turn the knob clockwise to set the desired cooking time.

The minute hand can be set from 1 to 120 minutes (Fig. 9) A sound signal will inform you that the chosen time is over.



3. CLEANING AND MAINTENANCE

Never use metal abrasive pads, abrasive cleaning products or very rigid brushes.

To clean the light cover, use only a household cleaning product, diluted with water, then rinse with clean water and dry with a soft cloth.

Once the product is clean, we recommend applying mineral oil or baby oil to the steel, with a dry and clean towel. For glass cleaning we suggest applying alcohol (with great caution) with a dry and clean towel.

This appliance is for domestic use only, do not use it outdoors!

Important: Unplug your oven before cleaning or performing maintenance!

- To extend the life of your oven, it should be cleaned frequently, taking into account that:
- Do not use steam equipment to clean the appliance.
- To protect against the risk of electric shock, do not immerse the unit, cable or plug in water or other liquid or spray water to clean the appliance!
- Do not clean the appliance when it is still hot! The internal and external surface of the oven should preferably be cleaned with a damp cloth when it cools.
- Wash all accessories with hot soapy water or in a dishwasher, dry them with a paper or cloth towel.
- If you use your oven for an extended period of time, condensation may form. Dry it with a soft cloth.
- There is a rubber seal that surrounds the oven opening that guarantees its perfect operation. Check the condition of this seal on a regular basis. If necessary, clean it and avoid using abrasive products or objects to do so. If it is damaged, contact the nearest



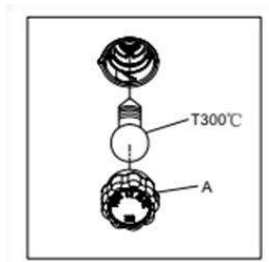
after-sales service center. We recommend that you avoid using the oven until it has been repaired.

- Never cover the bottom of the oven with aluminum foil, since the consequent accumulation of heat could compromise cooking and even damage the enamel.
- Clean the glass door with a damp cloth and dry it with a soft cloth.
- Do not use strong abrasive cleaners or sharp metal scrapers to clean the oven door glass, as they can scratch the surface, which can break the glass.

Replacing the lamp in the oven

Unplug your oven!

- Unscrew the glass cover attached to the lamp holder;
- Unscrew the lamp and replace it temperature lamp (300) with the



with another high following characteristics:

- Voltage: 220/240V
- Power: 15W
- Socket: E 14

- Replace the glass cover and reconnect the appliance to the power supply.

WARNING: Make sure the appliance is disconnected before replacing the lamp to avoid the possibility of electric shock.

Warning: Do not operate the appliance with the damaged cord or plug or after a malfunction of the appliance, or if it has been damaged in any way, return the appliance to the nearest Authorized Service Center for examination.

Protection kit

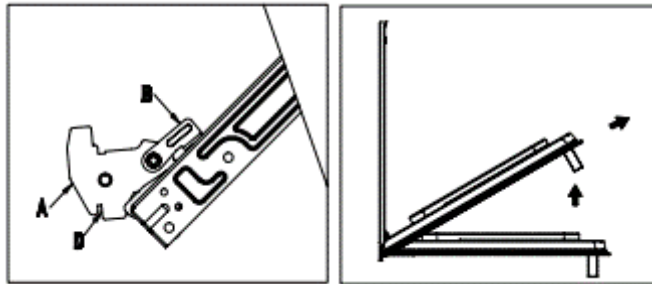
During operation, the oven's glass door and adjacent parts of the appliance become hot. Therefore, make sure that children do not touch the device.

This appliance is not designed to be used by people (including children) with reduced physical, sensory or mental abilities or lack of experience and knowledge, unless they have received

supervision or instructions on the use of the appliance by a person responsible for their security.

Children should be supervised to ensure that they do not play with the device.

For added security, an additional child safety device is available in our central office and in our authorized service centers (see attached list). When ordering, enter the code: BAB followed by the device model. The model is stamped on the plate that is seen on the front of the oven when the door is opened.



Disassembly / assembly of the oven door

To facilitate cleaning the inside of your oven, you can remove the oven door as follows.

- Open the door completely and raise the 2 levers "B"
- Now, by slightly closing the door, you can lift it by pulling the hooks "A" as shown. To reassemble the door:
- With the door upright, insert the two hooks "A" into the slots;
- Make sure that the seat "D" is perfectly hooked on the edge of the groove (move the oven door back and forth slightly);
- Keep the oven door fully open, unhook the 2 levers "B" down and then close the door again.

Removable glazing door instruction

The oven door is composed of 3 glass panels and has vents on the top and bottom. When the oven is running, air circulates through the door to keep the outside panel cool. If condensation has made its way between the glass panels, the door can be removed to clean between the panels.

Remove the door according to the instructions above and place it on a protective surface (for example, on a tablecloth) to prevent scratching. The door handle should align with the edge of the table. Make sure the glass is flat to prevent breakage during cleaning.

1. Press the button on the left and right side of the door, remove the top rail. (Figure 1)

2. Remove the inner glass slowly (Fig. 2)
3. loose clips. (Fig. 3)
4. Remove the glass from the middle. (Fig. 4)

Clean the glass and other parts with a damp microfiber cloth or a clean sponge and a solution of hot water with a little liquid detergent. Dry with a soft cloth.

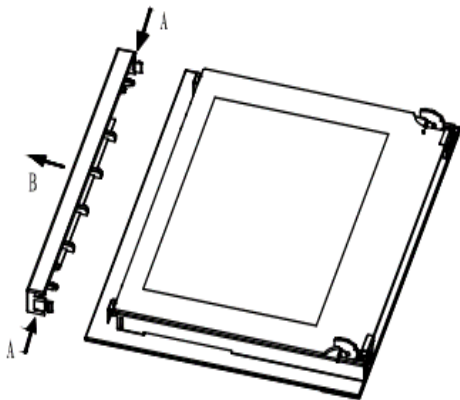


Fig.1

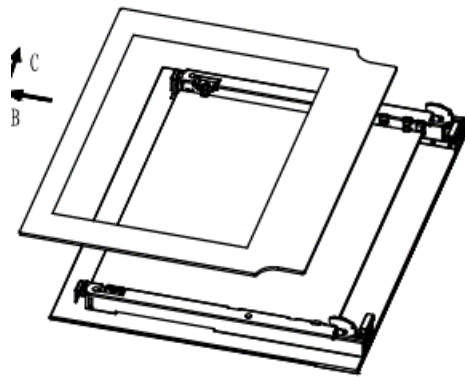


Fig.2

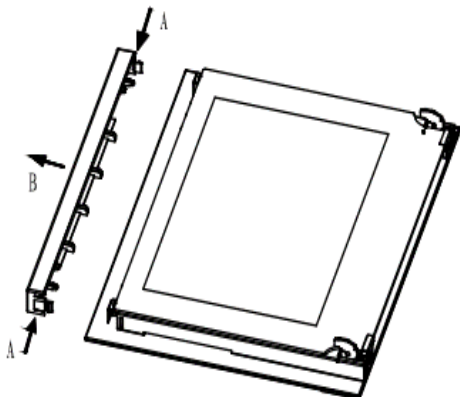


Fig.1

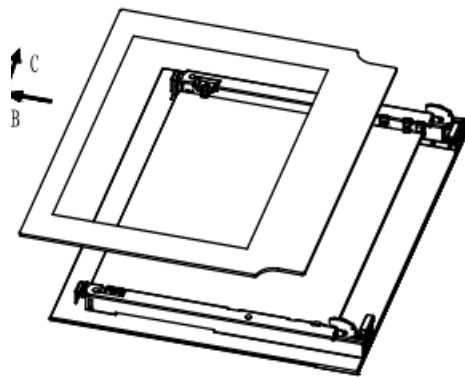


Fig.2

This product should not be disposed of with household waste. This product must be disposed of in an authorized place for recycling electrical and electronic equipment.

By collecting and recycling waste, it helps save natural resources and ensures that the product is disposed of in an environmentally friendly and healthy way.

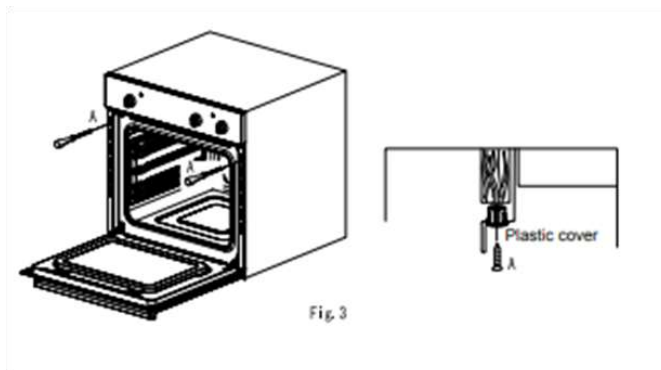
Important: if you decide not to use the oven anymore, you should stop working by cutting the power supply cable, after unplugging it from the power supply. Disused appliances can be a safety risk as children often play with them. For this reason, it is advisable to make the oven safe.

4. INSTALLATION

IMPORTANT: Unplug your oven before installing or maintaining!

The installation must be carried out in accordance with the instructions by a professionally qualified person.

The responsibility for animals or installation.



manufacturer declines all any damage to people, things due to improper

Place the device

- Place the appliance in its environment (under a countertop or on top of another appliance) by inserting screws and plastic covers in the 2 holes that can be seen in the oven frame when the door is open.
- For more efficient air circulation, the oven must be installed according to the dimensions.
- The back panel of the cabinet must be removed so that air can circulate freely. The panel on which the oven is installed must have a space of at least 70 mm at the rear.

Note: when ovens must be combined with plates, it is essential to follow the instructions contained in the booklet supplied with the other appliance.

WARNING:

- During use, the appliance heats up, care must be taken to avoid touching heating elements inside the oven.
- Accessible parts may become hot during use. Children should stay away.



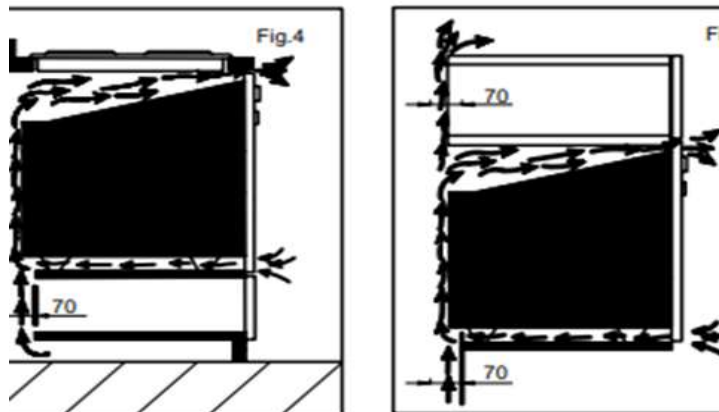
- Do not use strong abrasive cleaners or sharp metal scrapers to clean the oven door glass, as they can scratch the surface, which can break the glass.

For a built-in oven to work well, the cabinet must be the right type.

Adjacent furniture panels must be heat resistant. Particularly when the adjoining furniture is made of veneered wood, adhesives must be able to withstand a temperature of 120. Plastic or adhesive materials that cannot withstand this temperature will deform or peel off.

To comply with safety regulations, once the device has been installed, it should not be possible to make contact with the electrical parts.

All parts that offer protection must be repaired in such a way that they cannot be removed without the use of a tool.



Make sure the appliance is switched off before replacing the lamp to avoid the possibility of electric shock.

MAIN POWER CONNECTION

THE APPLIANCE MUST BE CONNECTED ACCORDING TO THE RULES CURRENTLY. IT CAN ONLY BE HANDLED BY AN AUTHORIZED ELECTRICAL INSTALLER IF IT IS IN FORCE.

WARNING: THIS APPLIANCE MUST BE GROUNDED

- Check that the nominal power of the power supply and the plugs is suitable for the maximum power of the appliance, as indicated on the specification plate.
- The plug must be accessible after installation. Place the plug in an outlet with a third contact that corresponds to the ground connection. This must be connected correctly.
- If the appliance only has power cables but does not come with a plug, connect it permanently to the fixed wiring as follows:



- The "yellow / green" ground wire, which must be connected to the terminal, must be about 10 mm longer than the other wires; the neutral wire "blue" must be connected to the terminal marked with the letter N.
- The cables with "black, brown, red" current must be connected to the L terminal. The connection to the network can also be made by installing a double pole switch with a minimum space between the 3 mm contacts, proportional to the load and complying with the regulations in force.

The yellow / green ground wire must not be controlled by the switch.

The plug or a bipolar switch used for connection to the mains must be easy to access, once the appliance is in position.

IMPORTANT: Position the main power cable so that it is never subject to a temperature above 50 ° C above room temperature.

- The electrical safety of the device can only be guaranteed when it has been properly connected to an efficient power supply with a ground connection, as established in the electrical safety regulations.
- The manufacturer is not responsible for any damage to people or objects due to the lack of a ground connection.

