



# DRIJA®

**24** MESES de GARANTÍA  
MONTHS WARRANTY

WE GIVEAWAY  
IN ALL OUR RANGE HOOD

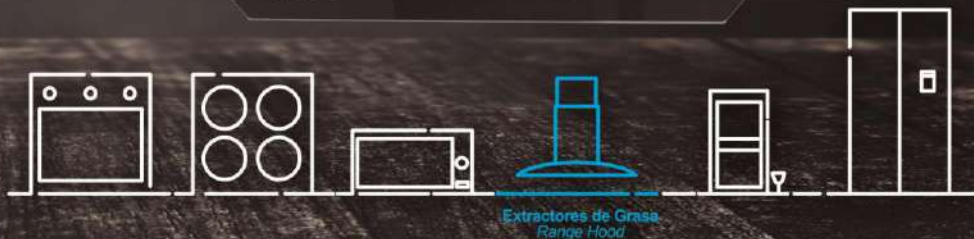
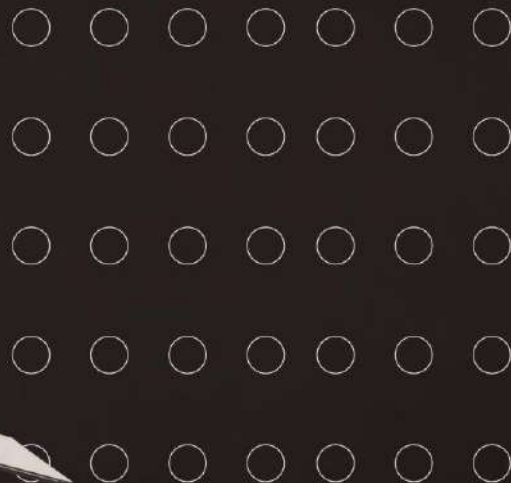
OBSEQUIAMOS  
EN TODOS NUESTROS EXTRACTORES DE GRASA

## Prisma Touch 60



2 Filtros de Carbón Activo  
2 Active Carbon Filters

Extractor de Grasa  
Range Hood



# USER MANUAL

110 V / 60Hz

NOTA: Para adquirir accesorios y/o repuestos de este producto, contáctenos al call center (según el número de su país que le indique el certificado de garantía) o a nuestras redes sociales

NOTE: To purchase accessories and / or spare parts for this product, contact us at the call center (depending on the number of your country that indicates the warranty certificate) or our social networks

 [www.DrijaInternational.com](http://www.DrijaInternational.com)



Para conservar la garantía de este producto, es indispensable instalarlo a no menos de **30"=75 cm** de la estufa

---

To preserve the warranty of this product, it is essential to install it at not less than **30"= 75 cm** from the stove.

**User Manual**  
RANGE HOOD | PRISMA TOUCH 60  
**DRIJA®**

1. FOR YOUR SECURITY .....3

2. EXTRACTOR DESIGN .....3

3. CLEANING AND MAINTENANCE .....5

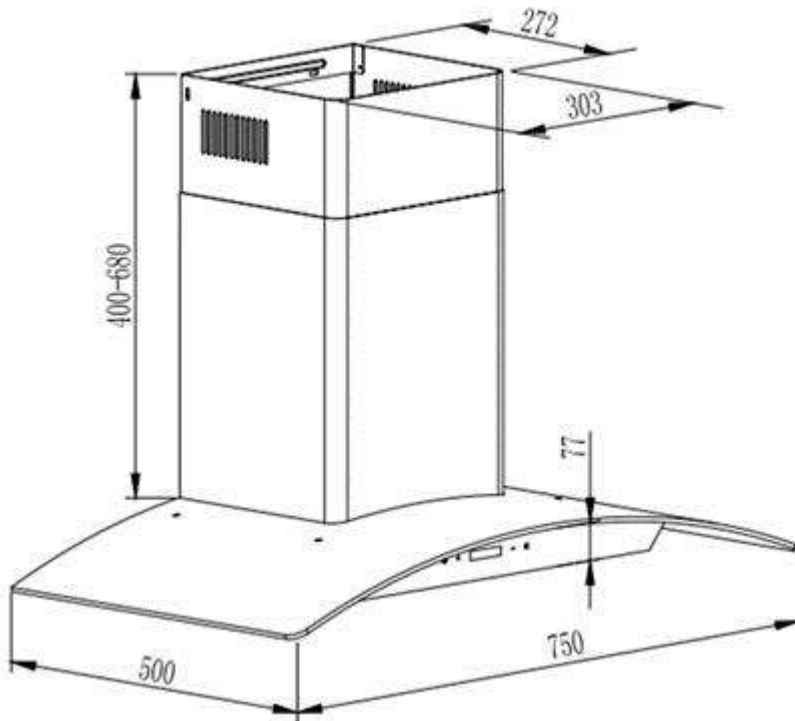
4. CHANGING THE BULBS .....6

5. INSTALATION .....7

## 1. **FOR YOUR SECURITY**

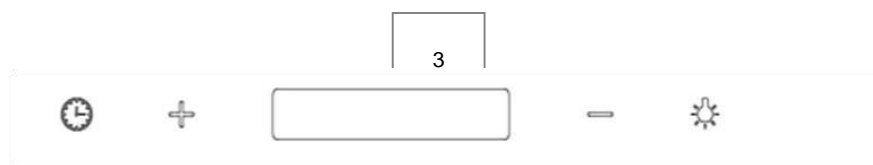
- Never ignite the gas or flame burners under the extractor without first placing a pan on them (the flame tends to rise and will damage the appliance).
- If you cook for a prolonged period using the extractor, it must be constantly monitored.
- Repairs should only be carried out by suitable personnel.
- Clean the filter cartridge regularly (once a month).
- The extractor is not allowed to be used on a solid fuel stove (wood, coal, etc.).
- These extractors have been designed for private use in the home for constant product improvements. We reserve the right to make changes in its technical, functional or aesthetic characteristics as results of technical developments. These kitchen extractors were designed exclusively for the cooking of beverages and food products. These products do not contain in their parts asbestos-based material.

## 2. **EXTRACTOR DESIGN**






**IMPORTANT:** If multiple speeds are selected at the same time, the unit will opt for the highest speed. The extractor will stop if no button is pressed.

**Soft touch control.**



After connecting the power cable, the LCD shows the time.

1. When the chimney bell is in standby state, touch the key  and the bell rings, the indicator light will turn off after two seconds, the LCD shows the first gear and the engine will run at low speed. Each time you press this button, the LCD will work with the "low, medium, high" graph in the sequence cycle and the engine will accelerate. After reaching the high level, when you press the button, the speed does not change.
2. When the chimney campaign is in standby mode, touch the key  and the bell rings, the indicator light will turn off after two seconds. The LCD will  reduce a graph and the engine will run at low speed. Each time you press this button, the LCD shows the "medium, low, stop" graphic, when it shows the stop icon, the engine stops running, then presses the button, the speed does not change.

3. Time key:

Press the key button for three seconds to set the clock for the time, the time icon will flash, then touch the minus key, reduce one hour, press and hold the key to continuously reduce. Touch the plus key, it will increase by one hour, press and hold to increase continuously. Touch the time / timing button when setting the clock position, switch to the minute setting position and the LCD will show the minute position. Touch the minus key, it will reduce one minute, press and hold to continuously reduce. Pressing the plus key will increase one minute, press and hold to increase continuously. When setting the minute position, press the time / sync button to confirm the current setting to exit the clock setting status. Clock setting range: "00:00 to 23:59". (It does not matter if you touch the or button, the indicator light will come on for 1 second, pressing continuously will keep the illumination. When the chimney bell is in standby state, touch the time key and the buzzer sounds, the indicator light and The LCD time will flash the last 5 minutes, at this time, touch to add a minute, touch to reduce a minute, setting the range from 1 to 60 minutes, after flashing for 5 seconds, enter the countdown status closed, and the indicator changes from flashing to on. After the countdown, the buzzer will activate for 3 seconds and then close all functions

4. Light button: press the light button, the buzzer will sound, the light will turn on. Press again, the light will go out

### **3. CLEANING AND MAINTENANCE**

#### **1. REGULAR CLEANING**

- Never use metal sponges, abrasives or brushes that are too hard. For body cleaning and light cover, use a commercial cleaning product that is diluted in water, then rinse in clean water and dry with gentle cleansing.

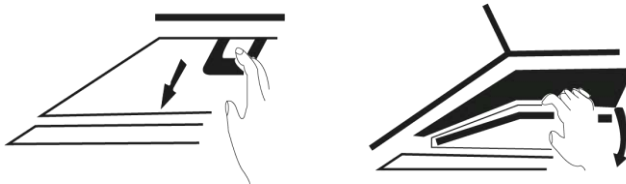
#### **2. MONTHLY CLEANING:**

##### ***FILTER CARTRIDGE***

- Clean the filter every month to prevent fire hazard. The filter collects grease and dirt as it is an element that plays an important role in the efficiency of the extractor. It can be flammable if saturated with grease residues. Clean with commercially-available home product, rinse properly and dry. Cleaning can be done in your dishwasher by placing the filter in up position (do not allow it to come into contact with dirty dishes or pots).

Before using the filter cartridge for the first time, remove the protective plastic.

##### ***-TO REMOVE THE FILTER CARTRIDGE.***



1. Push back with one hand.
2. Press the filter down and pull out.

After cleaning, replace the filter and proceed in the same way to reinsert the cartridge.

#### **3. ANNUAL CLEANING:**

- **Activation of the carbon filter.**

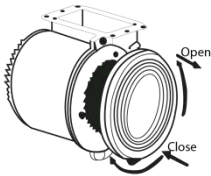
Only installed extractors are applied as a re-circulation unit (not ventilated outside). This filter catches the odors and must be changed at least once a year depending on the use given.

Buy these filters from your dealer (with the reference number that appears on the nameplate inside the extractor) and take control when you change them.

**DANGER:**

*Disconnect the extractor before servicing:*

- Remove the filter.



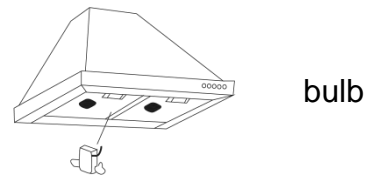
- Place the new carbon filter into the blower of the extractor inside the surface, and then put it directly.
- Repeat the same operation for each of the filters.
- Arrange the filter again.

## 4. CHANGING THE BULBS

Disconnect or shut off the extractor before beginning maintenance.

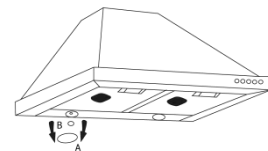
### **MODEL USING BULB LIGHTS OR NEON TUBE**

- Unscrew the screw securing the light cover.
- Tilt back.
- The type of bulb you use is 2W LED, replace the light and screw the new one (see diagram)



### **MODEL WITH LED LIGHTING**

- Remove the chrome rims "A" by turning Contrary to the clock hand.
- Change type GU10-2W-12V Screwing it.
- Reassemble them by performing the operation in the reverse order.



## 5. **INSTALATION**

### **GENERAL BUSINESS**

- If you have an outlet to the outside:

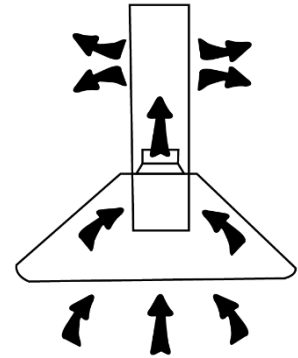
Your extractor can be connected to it by means of an extraction duct (enamel, aluminum, flexible pipe or non-flammable material with an inner diameter of 150 mm) (supplied with the extractor).

- If you do not have an outlet to the outside:

All our appliances have the option to operate in re-circulation (with no outlet to the outside).

Under these circumstances, add a charcoal filter activator, which will catch odors (See instructions on page 7).

This filter is available through your dealer under the reference number indicated on the nameplate. (See inside the extractor)



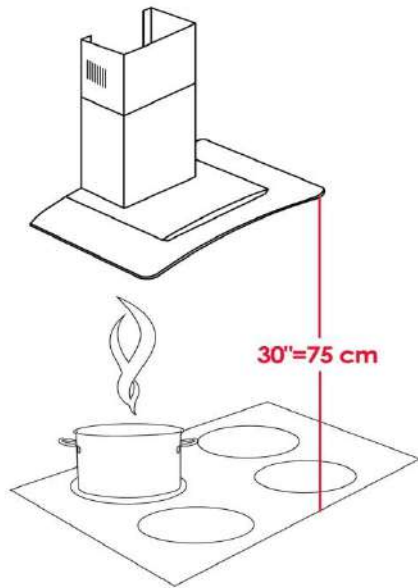
### **MOUNTING**

#### **Pre-assembly recommendations:**

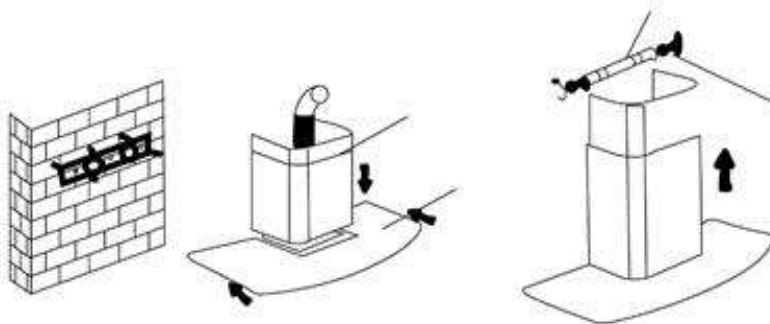
**The extractor must be 75cm from the burners so that it is properly adjusted.**

**Draw a vertical line on the wall to center the extractor (and fireplace) properly on the stove.**

Make a mark on the vertical line 75 cm above the surface of the burner. This vertical line at 75cm will help you correctly position the supplied mounting pattern.



- To install on the wall every 100 mm, drill 3 holes whose diameter is 8 mm in a suitable place according to the hook of the extractor.
- Insert screw plugs into the holes.
- Fix the hook to the wall, place drill template on the hook.
- Add the soot tube to the valve, and place it outdoors.
- Place two chimneys in the extractor.
- Drill 2 holes of 8 mm in a suitable place according to the second plate, place two screws in the direction of the plate, then remove the internal chimney at a suitable height. Put the inner chimney on the second plate and tighten the two screws.



***ELECTRIC CONNECTION:***

This appliance is supplied with a H05V VF power cable with 3 cores of 0.75m<sup>2</sup> (2 phases + ground) and must be connected to 110V single-phase mains using a plug and switch



complying with CEI83 standard, which must be easily accessible Once it is mounted or a bipolar double isolator switch with contact opening of at least 3 mm. This double bipolar isolator will also be required if the outlet is not accessible. We will not be responsible for accidents resulting from incorrect or non-existent ground events. Your fuse should be 10 or 16 amps.

**IMPORTANT: the equipment must have a voltage protector.**

<b>Power Input:</b>	<b>140W</b>		<b>180W</b>		<b>220W</b>
<b>Voltage Range:</b>	<b>110~127V</b>	<b>220~240V</b>	<b>110~127V</b>	<b>220~240V</b>	<b>110~127V</b>
<b>Range Frequency:</b>	<b>50HZ</b>	<b>60 HZ</b>	<b>50HZ</b>	<b>60 HZ</b>	<b>50HZ</b>
<b>Current Rating:</b>	<b>0.8-1.5A</b>		<b>0.8-1.5A</b>		<b>0.8-1.5A</b>

***THIS WARRANTY DOES NOT COVER THE FOLLOWING:***

- Accessories for plastic, cosmetic, glass, spotlights, filters, bulbs or porcelain.
- Commercial use
- Modification of the date of manufacture on the plate.
- After 24 months from purchase data.
- Damage to glass parts, S / S, or LED parts.
- Improper installation, misuse, abuse or neglect.
- Incorrectly connected to insufficient or inadequate power source.
- Damage caused by foreign objects.
- Un-installation by unauthorized technicians, use of spare parts from other manufacturers.

**User Manual**  
RANGE HOOD | PRISMA TOUCH 60  
**DRIJA®**

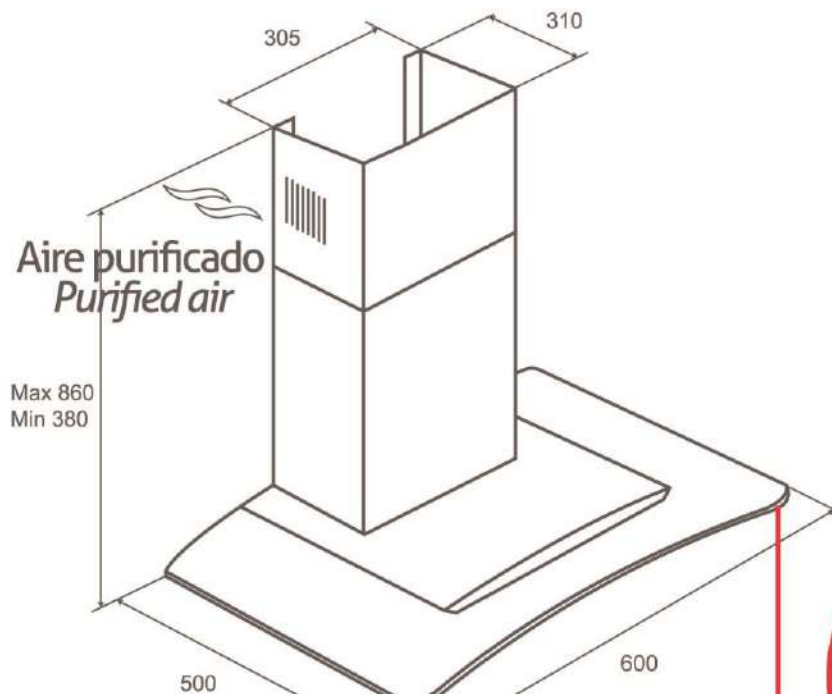
For commercial use the maintenance and free service must be discussed with our authorized agent.

After the 24 months of the warranty period, the buyer must pay for the service and spare of needing it.

If you need the service, please provide the warranty certificate and purchase invoice.

# DRIJA® Prisma Touch 60

Extractor de Grasa / Range Hood



Para conservar la garantía de este producto, es indispensable instalarlo a no menos de **30"=75 cm** de la estufa.

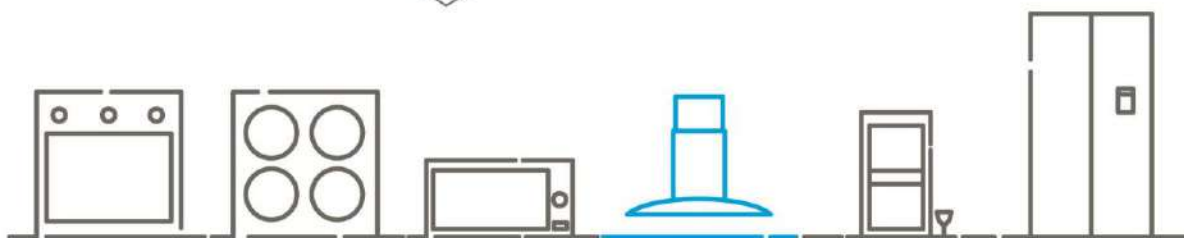
To preserve the warranty of this product, it is essential to install it at not less than **30"=75 cm** from the stove.

Extracción de aire recirculante  
Extraction of recirculating air



**30"=75 cm**

**24** MESES de GARANTÍA  
MONTHS WARRANTY



Extractores de Grasa  
Range Hood