

1 YEAR WARRANTY

PRODUCTOS
Inspirados
EN
DISEÑOS ITALIANOS

DRIJA

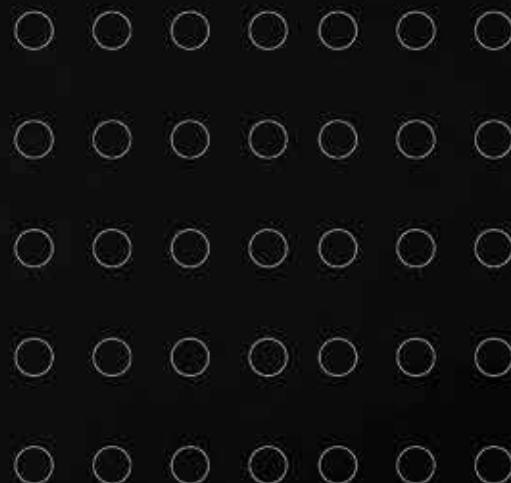
Savignon 12

Vinera Termoeléctrica
Thermoelectric Wine Cooler



**USAMOS
GAS REFRIGERANTE R600A**

WE USE GAS REFRIGERANT R600A
NO DAÑA LA CAPA DE OZONO Y ES AMIGABLE CON EL PLANETA
DOES NOT DAMAGE THE OZONE LAYER AND IS FRIENDLY TO THE PLANET



TUTORIALS OF
TECHNICAL SUPPORT



USER MANUAL

110-115V / 60Hz

NOTA: Para adquirir accesorios y/o repuestos de este producto, contáctenos al call center (según el número de su país que le indique el certificado de garantía) o a nuestras redes sociales

NOTE: To purchase accessories and / or spare parts for this product, contact us at the call center (depending on the number of your country that indicates the warranty certificate) or our social networks

 www.drijainternational.com

! Para conservar la garantía de este producto, es indispensable instalarlo

Protector de Voltaje

To preserve the warranty of this product, it is essential to install

Voltage Protector

CONTENTS

SAFETY INFORMATION

Important Safety Instructions.....	3
Technical Details.....	4
Grounding Instructions	4

SET UP & USE

Parts & Features	5
Installation Guide	6
Operation Guide.....	6

CLEANING & CARE	7
-----------------------	---

TROUBLE SHOOTING & WARRANTY	8
-----------------------------------	---

Before You Call For Service	8
Troubleshooting	8

SAFETY INFORMATION



DANGER - Immediate hazards which WILL result in severe personal injury or death



WARNING - Hazards or unsafe practices which COULD result in severe personal injury or death



CAUTION - Hazards or unsafe practices which COULD result in minor personal injury

IMPORTANT SAFETY INSTRUCTIONS



When using electrical appliances, basic safety precautions should be followed, including the following:

READ ALL INSTRUCTIONS BEFORE USING THE UNIT

Read all the instructions before using this appliance.

1. This wine cooler must be properly installed in accordance with the installation instructions before it is used. See grounding instructions in the installation section.
2. Never unplug your wine cooler by pulling on the power cord. Always grasp the plug firmly and pull straight out from the outlet.
3. Repair or replace immediately, all electric service cords that have become frayed or otherwise damaged. Do not use a cord that shows cracks or abrasion damage along its length, the plug, or the connector end.
4. Unplug your wine cooler before cleaning or before making any repairs.
NOTE: If for any reason this product requires service, we strongly recommend that a certified technician performs the service.
5. If your wine cooler is not being used, we recommend that you remove the door and leave the shelves in place. This will reduce the possibility of danger to children.
6. This wine cooler should not be recessed or built-in an enclosed cabinet. It is designed for freestanding installation only.
7. Do not operate your wine cooler in the presence of explosive fumes.
8. Do not store foods in wine cooler as interior temperature may not be cool enough to prevent spoilage.

SAVE THESE INSTRUCTIONS

HOUSEHOLD USE ONLY



DANGER

Risk of child entrapment. Before you throw away your old refrigerator or freezer, take off the doors. Leave the shelves in place so that children may not easily climb inside

TECHNICAL DETAILS

CONSUMPTION DATA

- Power supply 110-115V 60Hz

SAFETY INFORMATION

GROUNDING INSTRUCTIONS

ELECTRICAL REQUIREMENTS

This appliance must be grounded. In the event of an electrical short circuit, grounding reduces risk of electric shock by providing an escape wire for the electric current. The cord provided with this appliance is equipped with a grounding wire and a grounding plug. The plug must be plugged into an outlet that is properly installed and grounded. Avoid the use of three prong adapters or cutting off the third grounding prong to accommodate a two-prong outlet. This is a dangerous practice since it provides no effective grounding for the refrigerator and may result in shock hazard.

WARNING

Improper use of the grounding plug can result in a risk of electric shock.

Consult a qualified electrician or serviceman if:

- 1) The grounding instructions are not completely understood.
- 2) You are unsure that the appliance is properly grounded.
- 3) You have any questions about the grounding or electrical instructions.

POWER SUPPLY CORD

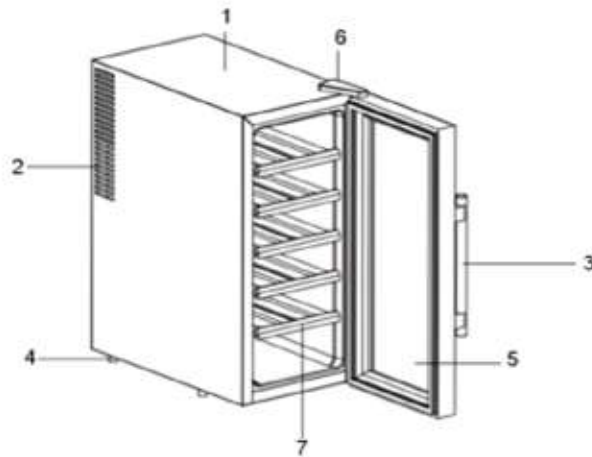
1. Avoid the use of an extension cord because of potential safety hazards under certain conditions. Have a qualified electrician or serviceman to install an outlet near the appliance.
2. If it is necessary to use longer cord sets or an extension cord, extreme care must be exercised.
 - a) Use only a grounding type 3-wire extension cord that has a 3-blade grounding plug and a 3-slot receptacle that will accept the plug on the appliance.
 - b) The marked electrical rating of the cord set, or extension cord must equal to or greater than the electrical rating of the appliance. The longer cord should be arranged so that it will not drape over the countertop or tabletop where it can be pulled on by children or tripped over unintentionally.

NOTE: Neither DRIJA nor the dealer can accept any liability for damage to the product or personal injury resulting from failure to observe the electrical connection procedures.

PARTS & FEATURES

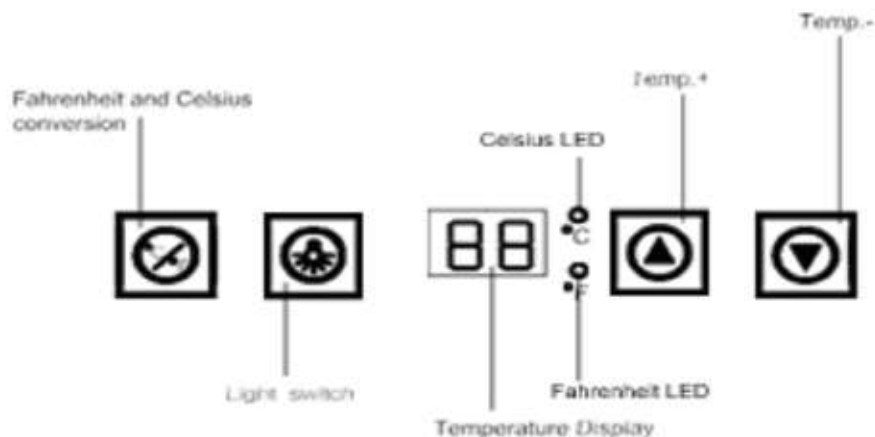
Model	Bottle Capacity	Number of Shelves	Cooling Temp.
BW-35D3	12	5	11-- 18°C (52° - 65°F)

BW-35D3



1. Cabinet
2. Vent hole
3. Handle
4. Adjustable leg
5. Glass door
6. Cover
7. Wooden shelf

Control panel view to enlarge






INSTALLATION GUIDE

1. Unpack your wine cooler by removing all packaging materials like carton, base, foams, adhesive tape, etc.
2. Remove all accessories, internal packaging material used to hold shelves, ice tray, etc. in place.
3. Clean the remains of all adhesive tape used and remove all printed material supplied.
 4. Install the wine cooler in a convenient location away from extreme heat and cold. Allow sufficient clearance between the wine cooler and the side wall so the doors(s) will open without obstruction. Wine cooler is not designed for recessed or built-in installation.
5. The floor on which the wine cooler should be placed must be flat, hard, solid, and even. The wine cooler should not be placed on any soft material such as foam, plastic, etc.
6. To level your wine cooler, use the two leveling legs in the rear and one in the front left of your wine cooler. Adjust by turning the legs counterclockwise to raise or clockwise to lower your wine cooler. The door will close easier if the leveling legs are extended.

NOTE: The foot that is part of the door hinge bracket is not adjustable.

NOTE: · Allow enough space in the front of the unit to open door to at least 120°.

OPERATION GUIDE

1. Plug in the wine cooler to power the unit on.
2. The temperature displayed will reflect the actual internal temperature of each zone.
3. Press the  button to select the temperature display in Fahrenheit or Celsius.
4. Upper and bottom zone temperatures are each controlled separately.
5. Setting the operating temperature of your unit.
 - A. You may choose a temperature setting for the upper zone within the range of 46° to 54°F. Set the temperature by pressing the upper zone button  repeatedly until the desired temperature is reached. Once selected, the temperature display will revert to the actual temperature.
 - B. You may choose a temperature setting for the bottom zone within the range of 54° to 65°F. Set the temperature by pressing the bottom zone button  repeatedly until the desired temperature is reached. Once selected, the temperature display will revert to the actual temperature.
6. Allow the wine cooler to operate empty for approximately one hour. This should allow the unit to reach the desired temperature.

CLEANING AND MAINTENANCE

Warning: To avoid electric shock always unplug your wine cooler before cleaning. Ignoring this warning may result in death or injury.

Caution: Before using cleaning products, always read and follow manufacturer's instructions and warnings to avoid personal injury or product damage.

General:

- Prepare a cleaning solution of 3-4 tablespoons of baking soda mixed with warm water. Use sponge or soft cloth, dampened with the cleaning solution to wipe down your wine cooler.
- Rinse with clean warm water and dry with a soft cloth.
- Do not use harsh chemicals, abrasives, ammonia, chlorine bleach, concentrate detergents, solvents, or metal scouring pads. SOME of these chemicals may dissolve, damage and / or discolor your wine cooler.

Power Interruptions

Occasionally there may be power interruptions due to thunderstorms or other causes. Remove the power cord from AC outlet when a power outage occurs. When power has been restored, connect again power cord to AC outlet.

Vacation and Moving Care

For long vacations or absences, unplug the unit, empty contents from wine cooler and clean the wine cooler and door gaskets according to "General Cleaning" section. Prop doors open, so air can circulate inside. When moving always move the wine cooler vertically. Do not move the unit lying on its side.

TROUBLESHOOTING & WARRANTY

BEFORE YOU CALL FOR SERVICE

IF THE UNIT FAILS TO OPERATE:

- A) Check to make sure that the unit is plugged in securely. If it is not, remove the plug from the outlet, wait 10 seconds and plug it in again securely.
- B) Check for a blown circuit fuse or a tripped main circuit breaker. If these seem to be operating properly, test the outlet with another appliance.

IF NONE OF THE ABOVE SOLVES THE PROBLEM, CONTACT A QUALIFIED TECHNICIAN. DO NOT TRY TO ADJUST OR REPAIR THE OVEN YOURSELF.

TROUBLESHOOTING

Troubleshoot your problem by using the chart below. If the unit still does not work properly, contact DRIJA Company's customer service center or the nearest authorized service center. Customer must never troubleshoot internal components.

SYMPTOMS	POSSIBLE CAUSE	SOLUTIONS
The wine cooler does not work.	There is a power failure. A circuit breaker has activated.	Ensure the cooler is plugged in and the power socket is turned on. Reset circuit breaker.
Wine cooler is not reaching the desired temperature	The cooler is placed too close to a heat source. No sufficient ventilation. The door is opened too frequently or for a long period of time.	Keep the cooler away from sunshine or other heat sources. Place the wine cooler in good ventilation and keep any items away from the fans. Close the door tightly and do not open the door too frequently or for a long period of time.
Frost forming in the wine cooler	Too much humidity. The ambient temperature is too low.	Unplug to defrost, plug again after the frost thaws.